

512 Kbit / 1 Mbit / 2 Mbit / 4 Mbit (x8) Multi-Purpose Flash

SST39LF512 / SST39LF010 / SST39LF020 / SST39LF040

SST39VF512 / SST39VF010 / SST39VF020 / SST39VF040



Data Sheet

FEATURES:

- **Organized as 64K x8 / 128K x8 / 256K x8 / 512K x8**
- **Single Voltage Read and Write Operations**
 - 3.0-3.6V for SST39LF512/010/020/040
 - 2.7-3.6V for SST39VF512/010/020/040
- **Superior Reliability**
 - Endurance: 100,000 Cycles (typical)
 - Greater than 100 years Data Retention
- **Low Power Consumption (typical values at 14 MHz)**
 - Active Current: 5 mA (typical)
 - Standby Current: 1 μ A (typical)
- **Sector-Erase Capability**
 - Uniform 4 KByte sectors
- **Fast Read Access Time:**
 - 45 ns for SST39LF512/010/020/040
 - 55 ns for SST39LF020/040
 - 70 and 90 ns for SST39VF512/010/020/040
- **Latched Address and Data**
- **Fast Erase and Byte-Program:**
 - Sector-Erase Time: 18 ms (typical)
 - Chip-Erase Time: 70 ms (typical)
 - Byte-Program Time: 14 μ s (typical)
 - Chip Rewrite Time:
 - 1 second (typical) for SST39LF/VF512
 - 2 seconds (typical) for SST39LF/VF010
 - 4 seconds (typical) for SST39LF/VF020
 - 8 seconds (typical) for SST39LF/VF040
- **Automatic Write Timing**
 - Internal V_{PP} Generation
- **End-of-Write Detection**
 - Toggle Bit
 - Data# Polling
- **CMOS I/O Compatibility**
- **JEDEC Standard**
 - Flash EEPROM Pinouts and command sets
- **Packages Available**
 - 32-lead PLCC
 - 32-lead TSOP (8mm x 14mm)
 - 48-ball TFBGA (6mm x 8mm) for 1M and 2M
 - 34-ball WFBGA (4mm x 6mm) for 1M and 2M

PRODUCT DESCRIPTION

The SST39LF512/010/020/040 and SST39VF512/010/020/040 are 64K x8, 128K x8, 256K x8 and 512K x8 CMOS Multi-Purpose Flash (MPF) manufactured with SST's proprietary, high performance CMOS SuperFlash technology. The split-gate cell design and thick-oxide tunneling injector attain better reliability and manufacturability compared with alternate approaches. The SST39LF512/010/020/040 devices write (Program or Erase) with a 3.0-3.6V power supply. The SST39VF512/010/020/040 devices write with a 2.7-3.6V power supply. The devices conform to JEDEC standard pinouts for x8 memories.

Featuring high performance Byte-Program, the SST39LF512/010/020/040 and SST39VF512/010/020/040 devices provide a maximum Byte-Program time of 20 μ sec. These devices use Toggle Bit or Data# Polling to indicate the completion of Program operation. To protect against inadvertent write, they have on-chip hardware and Software Data Protection schemes. Designed, manufactured, and tested for a wide spectrum of applications, they are offered with a guaranteed typical endurance of 10,000 cycles. Data retention is rated at greater than 100 years.

The SST39LF512/010/020/040 and SST39VF512/010/020/040 devices are suited for applications that require convenient and economical updating of program, configuration, or data memory. For all system applications, they

significantly improves performance and reliability, while lowering power consumption. They inherently use less energy during Erase and Program than alternative flash technologies. The total energy consumed is a function of the applied voltage, current, and time of application. Since for any given voltage range, the SuperFlash technology uses less current to program and has a shorter erase time, the total energy consumed during any Erase or Program operation is less than alternative flash technologies. These devices also improve flexibility while lowering the cost for program, data, and configuration storage applications.

The SuperFlash technology provides fixed Erase and Program times, independent of the number of Erase/Program cycles that have occurred. Therefore the system software or hardware does not have to be modified or de-rated as is necessary with alternative flash technologies, whose Erase and Program times increase with accumulated Erase/Program cycles.

To meet surface mount requirements, the SST39LF512/010/020/040 and SST39VF512/010/020/040 devices are offered in 32-lead PLCC and 32-lead TSOP packages. The SST39LF/VF010 and SST39LF/VF020 are also offered in a 48-ball TFBGA package. See Figures 1, 2, 3, and 4 for pin assignments.



512 Kbit / 1 Mbit / 2 Mbit / 4 Mbit Multi-Purpose Flash SST39LF512 / SST39LF010 / SST39LF020 / SST39LF040 SST39VF512 / SST39VF010 / SST39VF020 / SST39VF040

Data Sheet

Device Operation

Commands are used to initiate the memory operation functions of the device. Commands are written to the device using standard microprocessor write sequences. A command is written by asserting WE# low while keeping CE# low. The address bus is latched on the falling edge of WE# or CE#, whichever occurs last. The data bus is latched on the rising edge of WE# or CE#, whichever occurs first.

Read

The Read operation of the SST39LF512/010/020/040 and SST39VF512/010/020/040 device is controlled by CE# and OE#, both have to be low for the system to obtain data from the outputs. CE# is used for device selection. When CE# is high, the chip is deselected and only standby power is consumed. OE# is the output control and is used to gate data from the output pins. The data bus is in high impedance state when either CE# or OE# is high. Refer to the Read cycle timing diagram for further details (Figure 5).

Byte-Program Operation

The SST39LF512/010/020/040 and SST39VF512/010/020/040 are programmed on a byte-by-byte basis. Before programming, the sector where the byte exists must be fully erased. The Program operation is accomplished in three steps. The first step is the three-byte load sequence for Software Data Protection. The second step is to load byte address and byte data. During the Byte-Program operation, the addresses are latched on the falling edge of either CE# or WE#, whichever occurs last. The data is latched on the rising edge of either CE# or WE#, whichever occurs first. The third step is the internal Program operation which is initiated after the rising edge of the fourth WE# or CE#, whichever occurs first. The Program operation, once initiated, will be completed, within 20 μ s. See Figures 6 and 7 for WE# and CE# controlled Program operation timing diagrams and Figure 16 for flowcharts. During the Program operation, the only valid reads are Data# Polling and Toggle Bit. During the internal Program operation, the host is free to perform additional tasks. Any commands written during the internal Program operation will be ignored.

Sector-Erase Operation

The Sector-Erase operation allows the system to erase the device on a sector-by-sector basis. The sector architecture is based on uniform sector size of 4 KByte. The Sector-Erase operation is initiated by executing a six-byte command sequence with Sector-Erase command (30H) and sector address (SA) in the last bus cycle. The sector address is latched on the falling edge of the sixth WE# pulse, while the command (30H) is latched on the rising

edge of the sixth WE# pulse. The internal Erase operation begins after the sixth WE# pulse. The End-of-Erase can be determined using either Data# Polling or Toggle Bit methods. See Figure 10 for timing waveforms. Any commands written during the Sector-Erase operation will be ignored.

Chip-Erase Operation

The SST39LF512/010/020/040 and SST39VF512/010/020/040 devices provide a Chip-Erase operation, which allows the user to erase the entire memory array to the '1's state. This is useful when the entire device must be quickly erased.

The Chip-Erase operation is initiated by executing a six-byte Software Data Protection command sequence with Chip-Erase command (10H) with address 5555H in the last byte sequence. The internal Erase operation begins with the rising edge of the sixth WE# or CE#, whichever occurs first. During the internal Erase operation, the only valid read is Toggle Bit or Data# Polling. See Table 4 for the command sequence, Figure 11 for timing diagram, and Figure 19 for the flowchart. Any commands written during the Chip-Erase operation will be ignored.

Write Operation Status Detection

The SST39LF512/010/020/040 and SST39VF512/010/020/040 devices provide two software means to detect the completion of a Write (Program or Erase) cycle, in order to optimize the system write cycle time. The software detection includes two status bits: Data# Polling (DQ₇) and Toggle Bit (DQ₆). The End-of-Write detection mode is enabled after the rising edge of WE# which initiates the internal Program or Erase operation.

The actual completion of the nonvolatile write is asynchronous with the system; therefore, either a Data# Polling or Toggle Bit read may be simultaneous with the completion of the Write cycle. If this occurs, the system may possibly get an erroneous result, i.e., valid data may appear to conflict with either DQ₇ or DQ₆. In order to prevent spurious rejection, if an erroneous result occurs, the software routine should include a loop to read the accessed location an additional two (2) times. If both reads are valid, then the device has completed the Write cycle, otherwise the rejection is valid.



Data# Polling (DQ₇)

When the SST39LF512/010/020/040 and SST39VF512/010/020/040 are in the internal Program operation, any attempt to read DQ₇ will produce the complement of the true data. Once the Program operation is completed, DQ₇ will produce true data. Note that even though DQ₇ may have valid data immediately following completion of an internal Write operation, the remaining data outputs may still be invalid: valid data on the entire data bus will appear in subsequent successive Read cycles after an interval of 1 μs. During internal Erase operation, any attempt to read DQ₇ will produce a "0". Once the internal Erase operation is completed, DQ₇ will produce a "1". The Data# Polling is valid after the rising edge of fourth WE# (or CE#) pulse for Program operation. For Sector- or Chip-Erase, the Data# Polling is valid after the rising edge of sixth WE# (or CE#) pulse. See Figure 8 for Data# Polling timing diagram and Figure 17 for a flowchart.

Toggle Bit (DQ₆)

During the internal Program or Erase operation, any consecutive attempts to read DQ₆ will produce alternating '0's and '1's, i.e., toggling between 0 and 1. When the internal Program or Erase operation is completed, the toggling will stop. The device is then ready for the next operation. The Toggle Bit is valid after the rising edge of fourth WE# (or CE#) pulse for Program operation. For Sector- or Chip-Erase, the Toggle Bit is valid after the rising edge of sixth WE# (or CE#) pulse. See Figure 9 for Toggle Bit timing diagram and Figure 17 for a flowchart.

Data Protection

The SST39LF512/010/020/040 and SST39VF512/010/020/040 provide both hardware and software features to protect nonvolatile data from inadvertent writes.

Hardware Data Protection

Noise/Glitch Protection: A WE# or CE# pulse of less than 5 ns will not initiate a Write cycle.

V_{DD} Power Up/Down Detection: The Write operation is inhibited when V_{DD} is less than 1.5V.

Write Inhibit Mode: Forcing OE# low, CE# high, or WE# high will inhibit the Write operation. This prevents inadvertent writes during power-up or power-down.

Software Data Protection (SDP)

The SST39LF512/010/020/040 and SST39VF512/010/020/040 provide the JEDEC approved Software Data Protection scheme for all data alteration operation, i.e., Program and Erase. Any Program operation requires the inclusion of a series of three-byte sequence. The three-byte load sequence is used to initiate the Program operation, providing optimal protection from inadvertent Write operations, e.g., during the system power-up or power-down. Any Erase operation requires the inclusion of six-byte load sequence. These devices are shipped with the Software Data Protection permanently enabled. See Table 4 for the specific software command codes. During SDP command sequence, invalid commands will abort the device to read mode, within T_{RC}.

Product Identification

The Product Identification mode identifies the devices as the SST39LF/VF512, SST39LF/VF010, SST39LF/VF020 and SST39LF/VF040 and manufacturer as SST. This mode may be accessed by software operations. Users may use the Software Product Identification operation to identify the part (i.e., using the device ID) when using multiple manufacturers in the same socket. For details, see Table 4 for software operation, Figure 12 for the Software ID Entry and Read timing diagram, and Figure 18 for the Software ID entry command sequence flowchart.

TABLE 1: PRODUCT IDENTIFICATION

| | Address | Data |
|-------------------|---------|------|
| Manufacturer's ID | 0000H | BFH |
| Device ID | | |
| SST39LF/VF512 | 0001H | D4H |
| SST39LF/VF010 | 0001H | D5H |
| SST39LF/VF020 | 0001H | D6H |
| SST39LF/VF040 | 0001H | D7H |

T1.1 1150

Product Identification Mode Exit/Reset

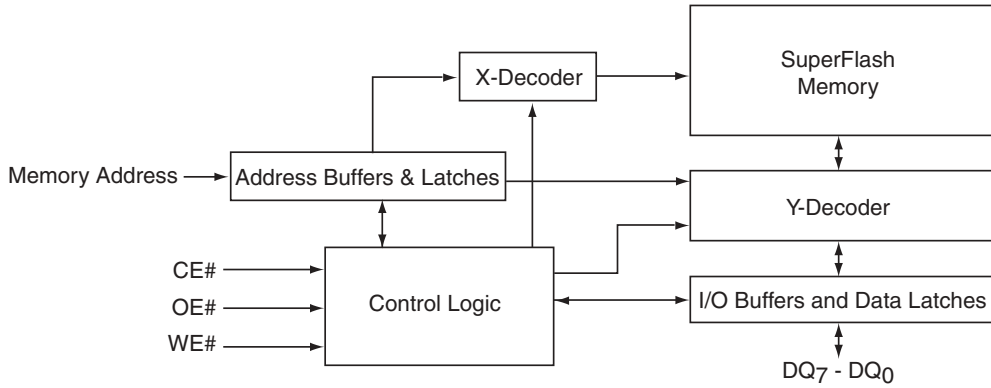
In order to return to the standard Read mode, the Software Product Identification mode must be exited. Exit is accomplished by issuing the Software ID Exit command sequence, which returns the device to the Read operation. Please note that the Software ID Exit command is ignored during an internal Program or Erase operation. See Table 4 for software command codes, Figure 13 for timing waveform, and Figure 18 for a flowchart.



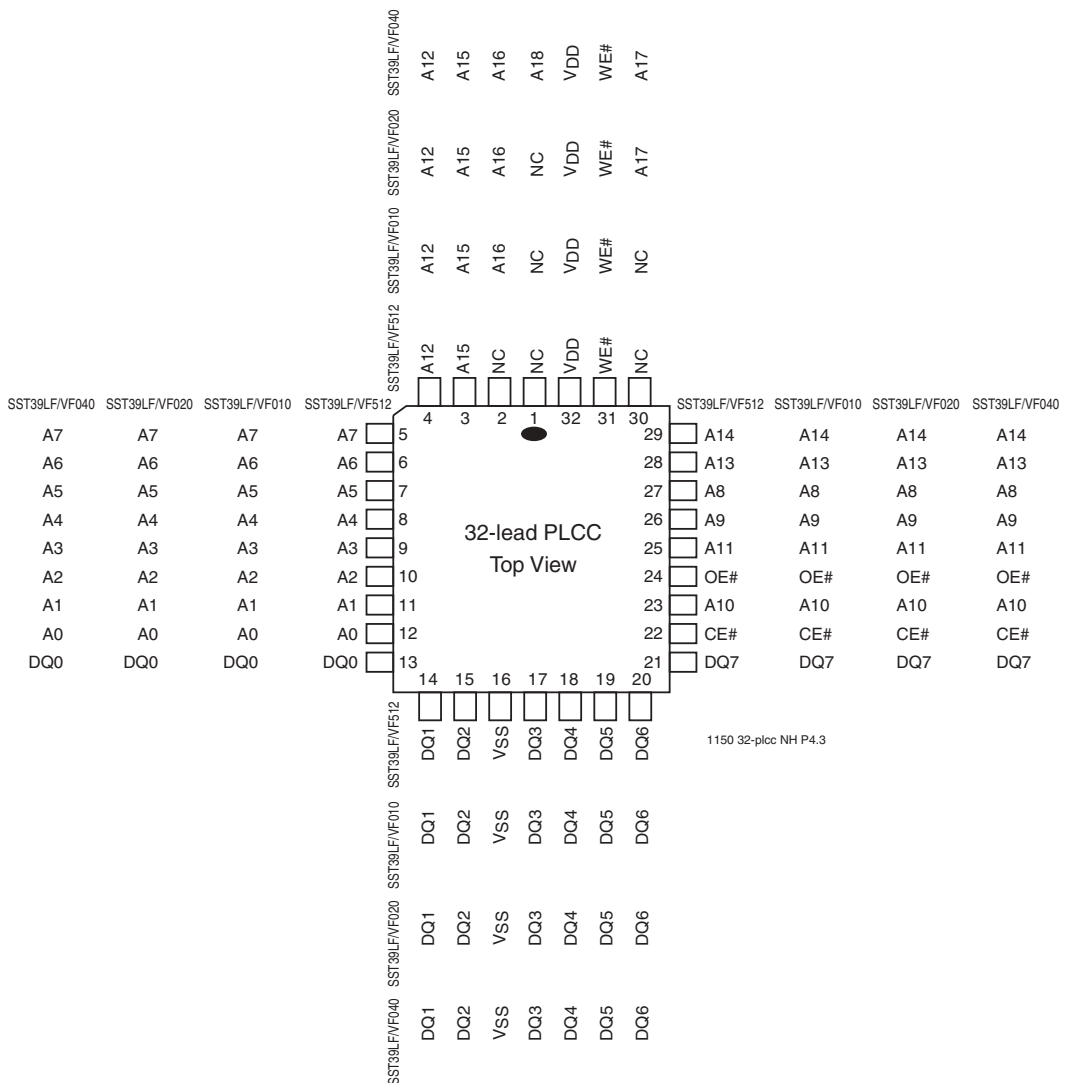
512 Kbit / 1 Mbit / 2 Mbit / 4 Mbit Multi-Purpose Flash SST39LF512 / SST39LF010 / SST39LF020 / SST39LF040 SST39VF512 / SST39VF010 / SST39VF020 / SST39VF040

Data Sheet

FUNCTIONAL BLOCK DIAGRAM



1150 B1.1



1150 32-plcc NH P4.3

FIGURE 1: PIN ASSIGNMENTS FOR 32-LEAD PLCC

512 Kbit / 1 Mbit / 2 Mbit / 4 Mbit Multi-Purpose Flash
SST39LF512 / SST39LF010 / SST39LF020 / SST39LF040
SST39VF512 / SST39VF010 / SST39VF020 / SST39VF040



Data Sheet

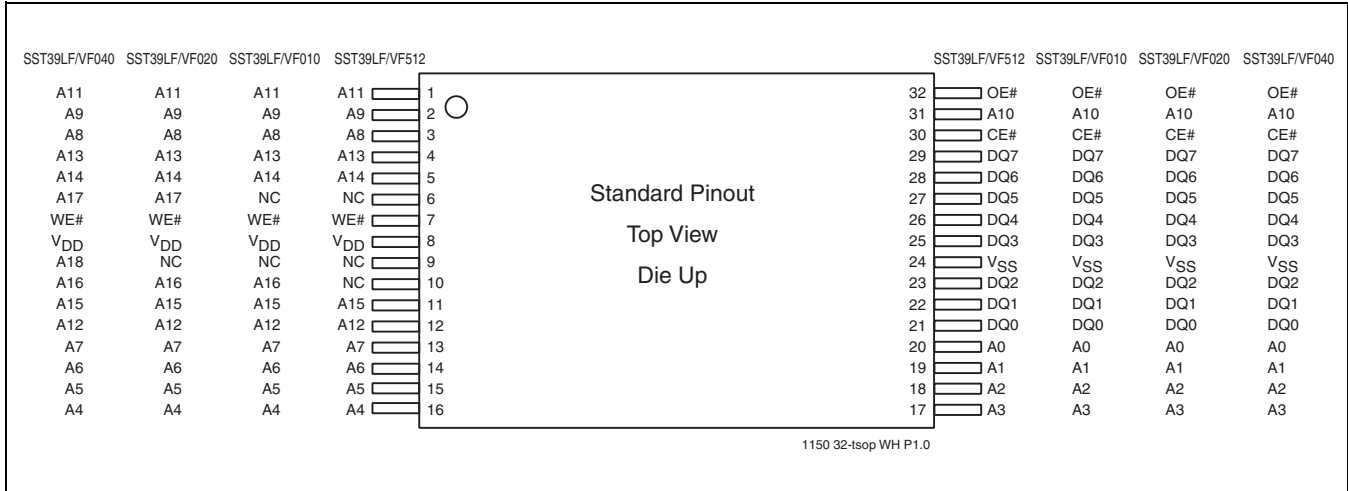


FIGURE 2: PIN ASSIGNMENTS FOR 32-LEAD TSOP (8MM X 14MM)

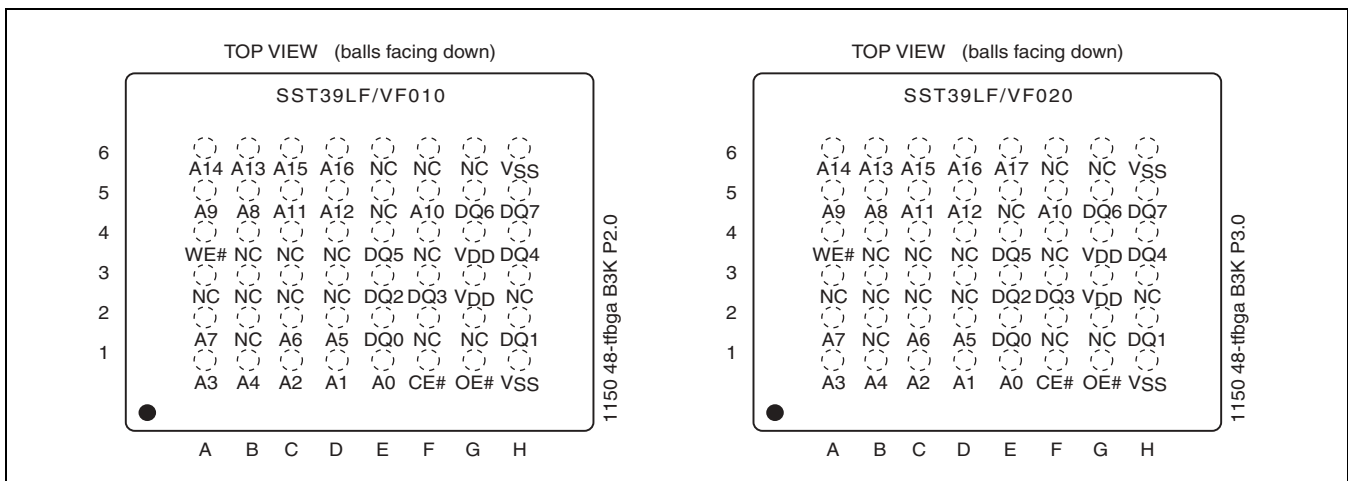


FIGURE 3: PIN ASSIGNMENT FOR 48-BALL TFBGA (6MM X 8MM) FOR 1 MBIT AND 2 MBIT

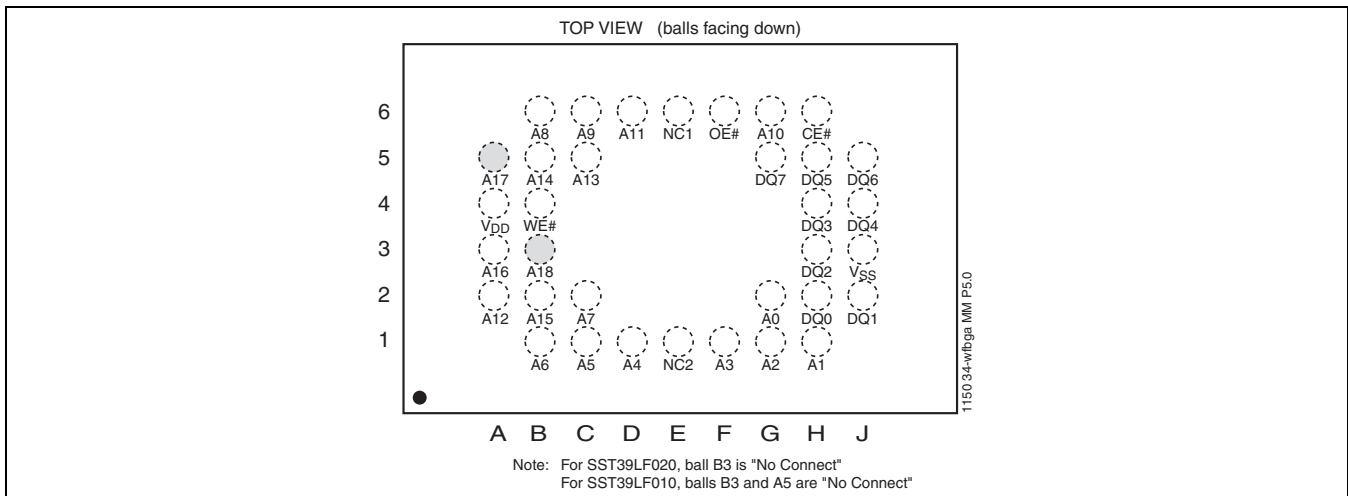


FIGURE 4: PIN ASSIGNMENT FOR 34-BALL WFBGA (4MM X 6MM) FOR 1 MBIT AND 2 MBIT



512 Kbit / 1 Mbit / 2 Mbit / 4 Mbit Multi-Purpose Flash SST39LF512 / SST39LF010 / SST39LF020 / SST39LF040 SST39VF512 / SST39VF010 / SST39VF020 / SST39VF040

Data Sheet

TABLE 2: PIN DESCRIPTION

| Symbol | Pin Name | Functions |
|----------------|-------------------|--|
| $A_{MS}^1-A_0$ | Address Inputs | To provide memory addresses. During Sector-Erase $A_{MS}-A_{12}$ address lines will select the sector. During Block-Erase $A_{MS}-A_{16}$ address lines will select the block. |
| DQ_7-DQ_0 | Data Input/output | To output data during Read cycles and receive input data during Write cycles. Data is internally latched during a Write cycle. The outputs are in tri-state when OE# or CE# is high. |
| CE# | Chip Enable | To activate the device when CE# is low. |
| OE# | Output Enable | To gate the data output buffers. |
| WE# | Write Enable | To control the Write operations. |
| V_{DD} | Power Supply | To provide power supply voltage: 3.0-3.6V for SST39LF512/010/020/040 2.7-3.6V for SST39VF512/010/020/040 |
| V_{SS} | Ground | |
| NC | No Connection | Unconnected pins. |

T2.1 1150

1. A_{MS} = Most significant address

A_{MS} = A_{15} for SST39LF/VF512, A_{16} for SST39LF/VF010, A_{17} for SST39LF/VF020, and A_{18} for SST39LF/VF040

TABLE 3: OPERATION MODES SELECTION

| Mode | CE# | OE# | WE# | DQ | Address |
|------------------------|----------|----------|----------|-------------------|---------------------------------------|
| Read | V_{IL} | V_{IL} | V_{IH} | D_{OUT} | A_{IN} |
| Program | V_{IL} | V_{IH} | V_{IL} | D_{IN} | A_{IN} |
| Erase | V_{IL} | V_{IH} | V_{IL} | X^1 | Sector address, XXH for Chip-Erase |
| Standby | V_{IH} | X | X | High Z | X |
| Write Inhibit | X | V_{IL} | X | High Z/ D_{OUT} | X |
| | X | X | V_{IH} | High Z/ D_{OUT} | X |
| Product Identification | | | | | |
| Software Mode | V_{IL} | V_{IL} | V_{IH} | | See Table 4 |

T3.4 1150

1. X can be V_{IL} or V_{IH} , but no other value.

512 Kbit / 1 Mbit / 2 Mbit / 4 Mbit Multi-Purpose Flash
SST39LF512 / SST39LF010 / SST39LF020 / SST39LF040
SST39VF512 / SST39VF010 / SST39VF020 / SST39VF040



Data Sheet

TABLE 4: SOFTWARE COMMAND SEQUENCE

| Command Sequence | 1st Bus Write Cycle | | 2nd Bus Write Cycle | | 3rd Bus Write Cycle | | 4th Bus Write Cycle | | 5th Bus Write Cycle | | 6th Bus Write Cycle | |
|----------------------------------|---------------------|------|---------------------|------|---------------------|------|---------------------|------|---------------------|------|------------------------------|------|
| | Addr ¹ | Data | Addr ¹ | Data | Addr ¹ | Data | Addr ¹ | Data | Addr ¹ | Data | Addr ¹ | Data |
| Byte-Program | 5555H | AAH | 2AAAH | 55H | 5555H | A0H | BA ² | Data | | | | |
| Sector-Erase | 5555H | AAH | 2AAAH | 55H | 5555H | 80H | 5555H | AAH | 2AAAH | 55H | SA _X ³ | 30H |
| Chip-Erase | 5555H | AAH | 2AAAH | 55H | 5555H | 80H | 5555H | AAH | 2AAAH | 55H | 5555H | 10H |
| Software ID Entry ^{4,5} | 5555H | AAH | 2AAAH | 55H | 5555H | 90H | | | | | | |
| Software ID Exit ⁶ | XXH | F0H | | | | | | | | | | |
| Software ID Exit ⁶ | 5555H | AAH | 2AAAH | 55H | 5555H | F0H | | | | | | |

T4.2 1150

- Address format A₁₄-A₀ (Hex),
 Address A₁₅ can be V_{IL} or V_{IH}, but no other value, for the Command sequence for SST39LF/VF512.
 Addresses A_{MS}-A₁₅ can be V_{IL} or V_{IH}, but no other value, for the Command sequence.
 A_{MS} = Most significant address
 A_{MS} = A₁₅ for SST39LF/VF512, A₁₆ for SST39LF/VF010, A₁₇ for SST39LF/VF020, and A₁₈ for SST39LF/VF040
- BA = Program Byte address
- SA_X for Sector-Erase; uses A_{MS}-A₁₂ address lines
- The device does not remain in Software Product ID mode if powered down.
- With A_{MS}-A₁ = 0; SST Manufacturer's ID = BFH, is read with A₀ = 0,
 SST39LF/VF512 Device ID = D4H, is read with A₀ = 1,
 SST39LF/VF010 Device ID = D5H, is read with A₀ = 1,
 SST39LF/VF020 Device ID = D6H, is read with A₀ = 1,
 SST39LF/VF040 Device ID = D7H, is read with A₀ = 1.
- Both Software ID Exit operations are equivalent

Absolute Maximum Stress Ratings (Applied conditions greater than those listed under "Absolute Maximum Stress Ratings" may cause permanent damage to the device. This is a stress rating only and functional operation of the device at these conditions or conditions greater than those defined in the operational sections of this data sheet is not implied. Exposure to absolute maximum stress rating conditions may affect device reliability.)

| | |
|---|--------------------------------|
| Temperature Under Bias | -55°C to +125°C |
| Storage Temperature | -65°C to +150°C |
| D. C. Voltage on Any Pin to Ground Potential | -0.5V to V _{DD} +0.5V |
| Transient Voltage (<20 ns) on Any Pin to Ground Potential | -2.0V to V _{DD} +2.0V |
| Voltage on A ₉ Pin to Ground Potential | -0.5V to 13.2V |
| Package Power Dissipation Capability (Ta = 25°C) | 1.0W |
| Output Short Circuit Current ¹ | 50 mA |

1. Outputs shorted for no more than one second. No more than one output shorted at a time.

OPERATING RANGE FOR SST39LF512/010/020/040

| Range | Ambient Temp | V _{DD} |
|------------|--------------|-----------------|
| Commercial | 0°C to +70°C | 3.0-3.6V |

OPERATING RANGE FOR SST39VF512/010/020/040

| Range | Ambient Temp | V _{DD} |
|------------|----------------|-----------------|
| Commercial | 0°C to +70°C | 2.7-3.6V |
| Industrial | -40°C to +85°C | 2.7-3.6V |

AC CONDITIONS OF TEST

| | |
|--|------|
| Input Rise/Fall Time | 5 ns |
| Output Load | |
| C _L = 30 pF for SST39LF512/010/020/040 | |
| C _L = 100 pF for SST39VF512/010/020/040 | |
| See Figures 14 and 15 | |



512 Kbit / 1 Mbit / 2 Mbit / 4 Mbit Multi-Purpose Flash SST39LF512 / SST39LF010 / SST39LF020 / SST39LF040 SST39VF512 / SST39VF010 / SST39VF020 / SST39VF040

Data Sheet

TABLE 5: DC OPERATING CHARACTERISTICS

$V_{DD} = 3.0\text{-}3.6\text{V}$ FOR SST39LF512/010/020/040 AND $2.7\text{-}3.6\text{V}$ FOR SST39VF512/010/020/040¹

| Symbol | Parameter | Limits | | | Test Conditions |
|------------------|---------------------------------|----------------------|-----|-------|---|
| | | Min | Max | Units | |
| I _{DD} | Power Supply Current | | | | Address input=V _{ILT} /V _{IHT} , at f=1/T _{RC} Min V _{DD} =V _{DD} Max |
| | Read ² | | 20 | mA | CE#=V _{IL} , OE#=WE#=V _{IH} , all I/Os open |
| | Program and Erase ³ | | 30 | mA | CE#=WE#=V _{IL} , OE#=V _{IH} |
| I _{SB} | Standby V _{DD} Current | | 15 | μA | CE#=V _{IHC} , V _{DD} =V _{DD} Max |
| I _{LI} | Input Leakage Current | | 1 | μA | V _{IN} =GND to V _{DD} , V _{DD} =V _{DD} Max |
| I _{LO} | Output Leakage Current | | 10 | μA | V _{OUT} =GND to V _{DD} , V _{DD} =V _{DD} Max |
| V _{IL} | Input Low Voltage | | 0.8 | V | V _{DD} =V _{DD} Min |
| V _{IH} | Input High Voltage | 0.7V _{DD} | | V | V _{DD} =V _{DD} Max |
| V _{IHC} | Input High Voltage (CMOS) | V _{DD} -0.3 | | V | V _{DD} =V _{DD} Max |
| V _{OL} | Output Low Voltage | | 0.2 | V | I _{OL} =100 μA, V _{DD} =V _{DD} Min |
| V _{OH} | Output High Voltage | V _{DD} -0.2 | | V | I _{OH} =-100 μA, V _{DD} =V _{DD} Min |

T5.7 1150

1. Typical conditions for the Active Current shown on the front data sheet page are average values at 25°C (room temperature), and V_{DD} = 3V for VF devices. Not 100% tested.
2. Values are for 70 ns conditions. See the *Multi-Purpose Flash Power Rating* application note for further information.
3. 30 mA max for Erase operations in the industrial temperature range.

TABLE 6: RECOMMENDED SYSTEM POWER-UP TIMINGS

| Symbol | Parameter | Minimum | Units |
|------------------------------------|-------------------------------------|---------|-------|
| T _{PU-READ} ¹ | Power-up to Read Operation | 100 | μs |
| T _{PU-WRITE} ¹ | Power-up to Program/Erase Operation | 100 | μs |

T6.1 1150

1. This parameter is measured only for initial qualification and after a design or process change that could affect this parameter.

TABLE 7: CAPACITANCE (Ta = 25°C, f=1 Mhz, other pins open)

| Parameter | Description | Test Condition | Maximum |
|-------------------------------|---------------------|-----------------------|---------|
| C _{I/O} ¹ | I/O Pin Capacitance | V _{I/O} = 0V | 12 pF |
| C _{IN} ¹ | Input Capacitance | V _{IN} = 0V | 6 pF |

T7.0 1150

1. This parameter is measured only for initial qualification and after a design or process change that could affect this parameter.

TABLE 8: RELIABILITY CHARACTERISTICS

| Symbol | Parameter | Minimum Specification | Units | Test Method |
|---------------------------------|----------------|-----------------------|--------|---------------------|
| N _{END} ^{1,2} | Endurance | 10,000 | Cycles | JEDEC Standard A117 |
| T _{DR} ¹ | Data Retention | 100 | Years | JEDEC Standard A103 |
| I _{LTH} ¹ | Latch Up | 100 + I _{DD} | mA | JEDEC Standard 78 |

T8.3 1150

1. This parameter is measured only for initial qualification and after a design or process change that could affect this parameter.
2. N_{END} endurance rating is qualified as a 10,000 cycle minimum for the whole device. A sector- or block-level rating would result in a higher minimum specification.



AC CHARACTERISTICS

TABLE 9: READ CYCLE TIMING PARAMETERS

V_{DD} = 3.0-3.6V FOR SST39LF512/010/020/040 AND 2.7-3.6V FOR SST39VF512/010/020/040

| Symbol | Parameter | SST39LF512-45 SST39LF010-45 SST39LF020-45 SST39LF040-45 | | SST39LF020-55 SST39LF040-55 | | SST39VF512-70 SST39VF010-70 SST39VF020-70 SST39VF040-70 | | SST39VF512-90 SST39VF010-90 SST39VF020-90 SST39VF040-90 | | Units |
|-------------------------------|---------------------------------|--|-----|--------------------------------|-----|--|-----|--|-----|-------|
| | | Min | Max | Min | Max | Min | Max | Min | Max | |
| T _{RC} | Read Cycle Time | 45 | | 55 | | 70 | | 90 | | ns |
| T _{CE} | Chip Enable Access Time | | 45 | | 55 | | 70 | | 90 | ns |
| T _{AA} | Address Access Time | | 45 | | 55 | | 70 | | 90 | ns |
| T _{OE} | Output Enable Access Time | | 30 | | 30 | | 35 | | 45 | ns |
| T _{CLZ} ¹ | CE# Low to Active Output | 0 | | 0 | | 0 | | 0 | | ns |
| T _{OLZ} ¹ | OE# Low to Active Output | 0 | | 0 | | 0 | | 0 | | ns |
| T _{CHZ} ¹ | CE# High to High-Z Output | | 15 | | 15 | | 25 | | 30 | ns |
| T _{OHZ} ¹ | OE# High to High-Z Output | | 15 | | 15 | | 25 | | 30 | ns |
| T _{OH} ¹ | Output Hold from Address Change | 0 | | 0 | | 0 | | 0 | | ns |

T9.2 1150

1. This parameter is measured only for initial qualification and after a design or process change that could affect this parameter.

TABLE 10: PROGRAM/ERASE CYCLE TIMING PARAMETERS

| Symbol | Parameter | Min | Max | Units |
|-------------------------------|----------------------------------|-----|-----|-------|
| T _{BP} | Byte-Program Time | | 20 | μs |
| T _{AS} | Address Setup Time | 0 | | ns |
| T _{AH} | Address Hold Time | 30 | | ns |
| T _{CS} | WE# and CE# Setup Time | 0 | | ns |
| T _{CH} | WE# and CE# Hold Time | 0 | | ns |
| T _{OES} | OE# High Setup Time | 0 | | ns |
| T _{OEH} | OE# High Hold Time | 10 | | ns |
| T _{CP} | CE# Pulse Width | 40 | | ns |
| T _{WP} | WE# Pulse Width | 40 | | ns |
| T _{WPH} ¹ | WE# Pulse Width High | 30 | | ns |
| T _{CPH} ¹ | CE# Pulse Width High | 30 | | ns |
| T _{DS} | Data Setup Time | 40 | | ns |
| T _{DH} ¹ | Data Hold Time | 0 | | ns |
| T _{IDA} ¹ | Software ID Access and Exit Time | | 150 | ns |
| T _{SE} | Sector-Erase | | 25 | ms |
| T _{SCE} | Chip-Erase | | 100 | ms |

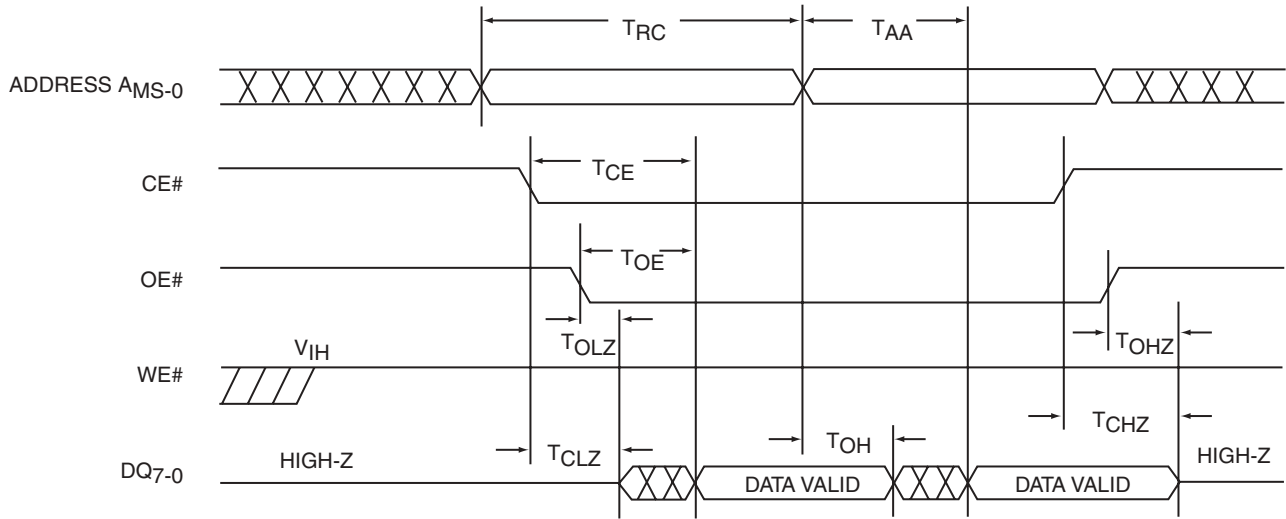
T10.1 1150

1. This parameter is measured only for initial qualification and after a design or process change that could affect this parameter.



512 Kbit / 1 Mbit / 2 Mbit / 4 Mbit Multi-Purpose Flash
SST39LF512 / SST39LF010 / SST39LF020 / SST39LF040
SST39VF512 / SST39VF010 / SST39VF020 / SST39VF040

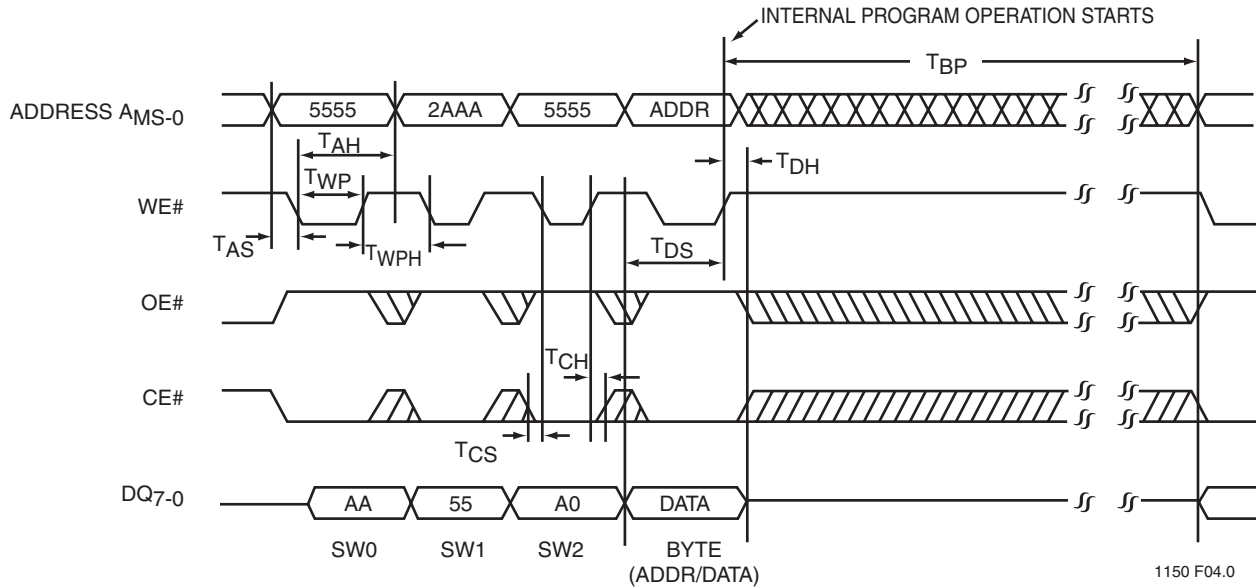
Data Sheet



Note: A_{MS} = Most significant address
 A_{MS} = A_{15} for SST39LF/VF512, A_{16} for SST39LF/VF010,
 A_{17} for SST39LF/VF020 and A_{18} for SST39LF/VF040

1150 F03.0

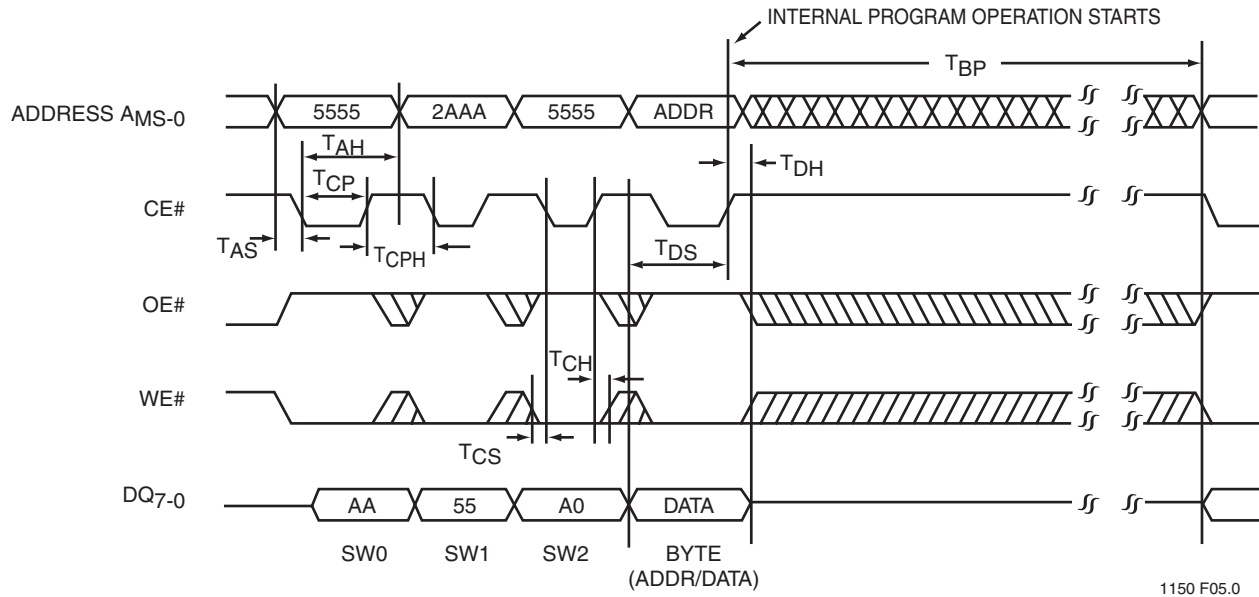
FIGURE 5: READ CYCLE TIMING DIAGRAM



Note: A_{MS} = Most significant address
 A_{MS} = A_{15} for SST39LF/VF512, A_{16} for SST39LF/VF010,
 A_{17} for SST39LF/VF020 and A_{18} for SST39LF/VF040

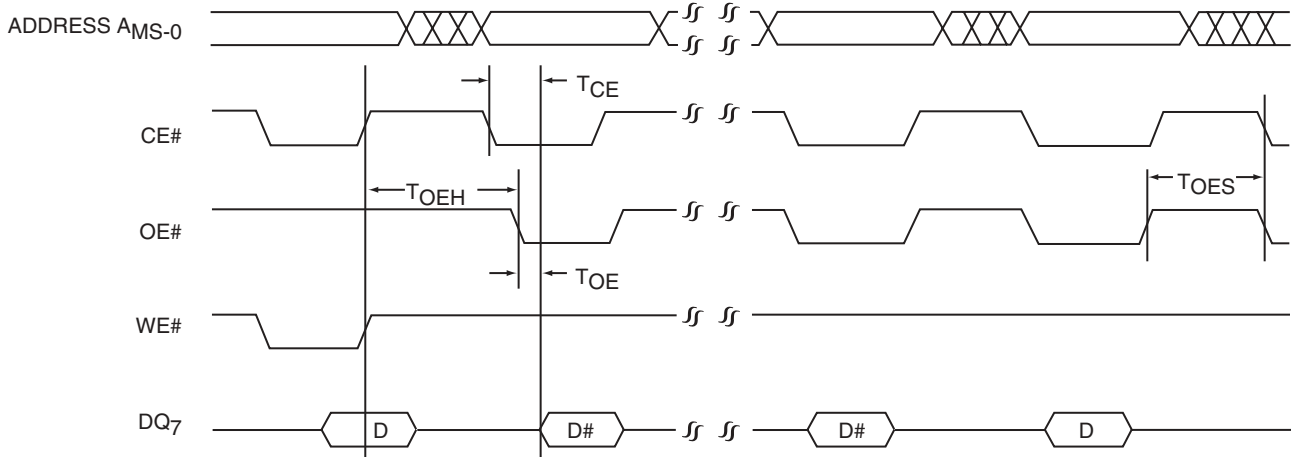
1150 F04.0

FIGURE 6: WE# CONTROLLED PROGRAM CYCLE TIMING DIAGRAM



Note: A_{MS} = Most significant address
 A_{MS} = A_{15} for SST39LF/VF512, A_{16} for SST39LF/VF010,
 A_{17} for SST39LF/VF020 and A_{18} for SST39LF/VF040

FIGURE 7: CE# CONTROLLED PROGRAM CYCLE TIMING DIAGRAM



Note: A_{MS} = Most significant address
 A_{MS} = A_{15} for SST39LF/VF512, A_{16} for SST39LF/VF010,
 A_{17} for SST39LF/VF020 and A_{18} for SST39LF/VF040

FIGURE 8: DATA# POLLING TIMING DIAGRAM



512 Kbit / 1 Mbit / 2 Mbit / 4 Mbit Multi-Purpose Flash
SST39LF512 / SST39LF010 / SST39LF020 / SST39LF040
SST39VF512 / SST39VF010 / SST39VF020 / SST39VF040

Data Sheet

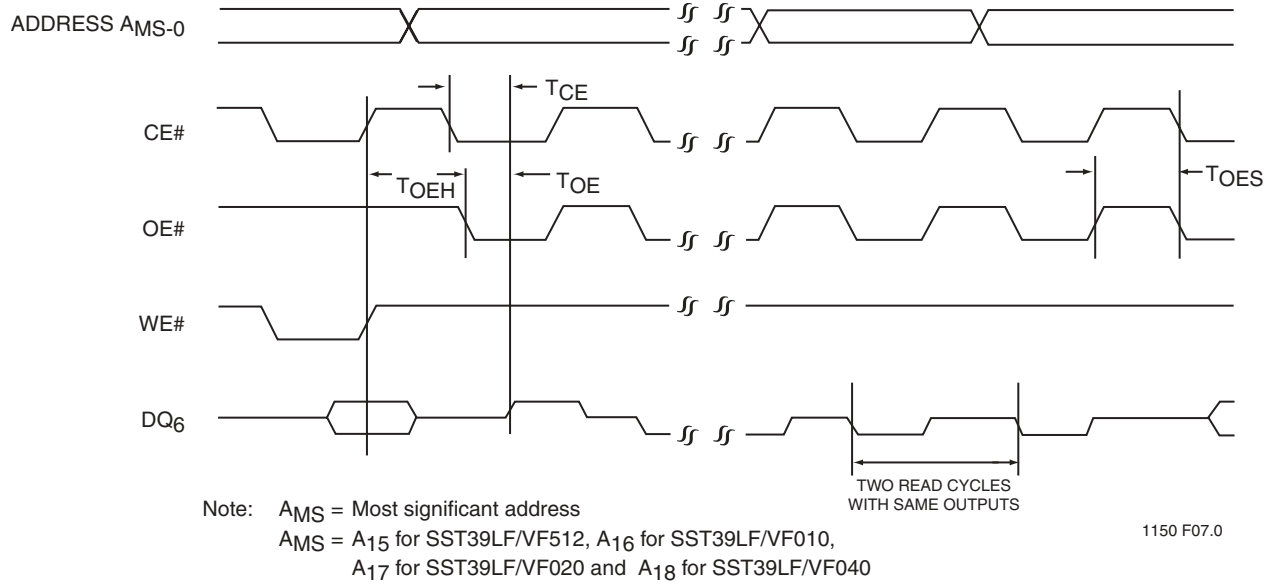


FIGURE 9: TOGGLE BIT TIMING DIAGRAM

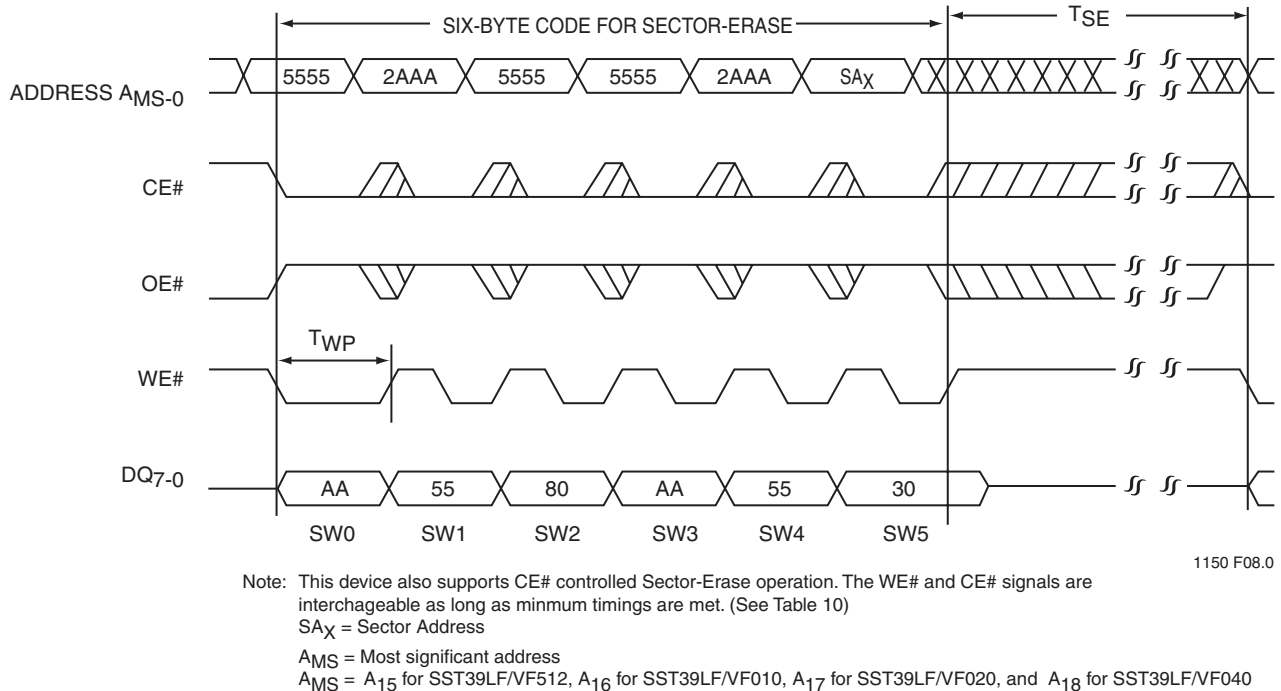
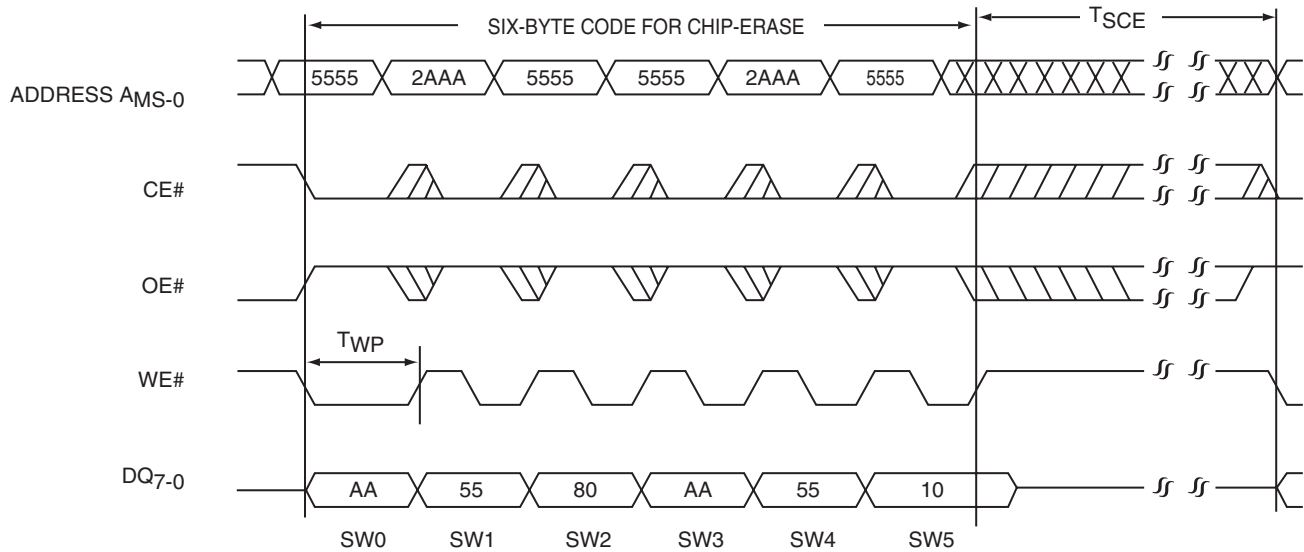


FIGURE 10: WE# CONTROLLED SECTOR-ERASE TIMING DIAGRAM



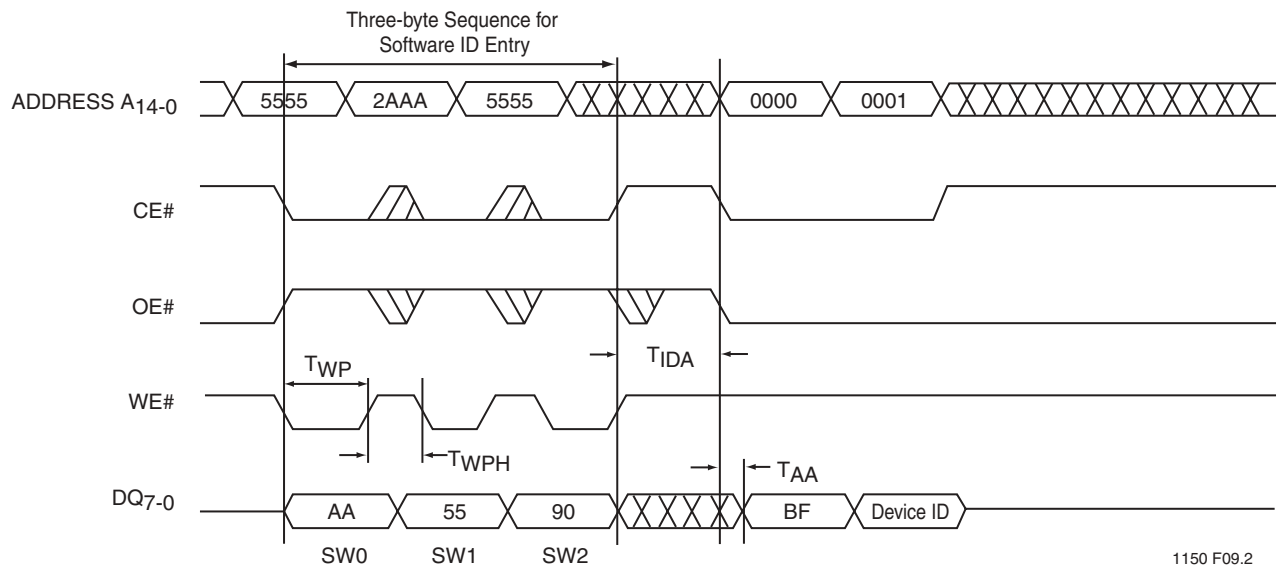
1150 F17.0

Note: This device also supports CE# controlled Chip-Erase operation. The WE# and CE# signals are interchangeable as long as minimum timings are met. (See Table 10)

AMS = Most significant address

AMS = A₁₅ for SST39LF/VF512, A₁₆ for SST39LF/VF010, A₁₇ for SST39LF/VF020, and A₁₈ for SST39LF/VF040

FIGURE 11: WE# CONTROLLED CHIP-ERASE TIMING DIAGRAM



1150 F09.2

Note: Device ID = D4H for SST39LF/VF512, D5H for SST39LF/VF010, D6H for SST39LF/VF020, and D7H for SST39LF/VF040.

FIGURE 12: SOFTWARE ID ENTRY AND READ



512 Kbit / 1 Mbit / 2 Mbit / 4 Mbit Multi-Purpose Flash
SST39LF512 / SST39LF010 / SST39LF020 / SST39LF040
SST39VF512 / SST39VF010 / SST39VF020 / SST39VF040

Data Sheet

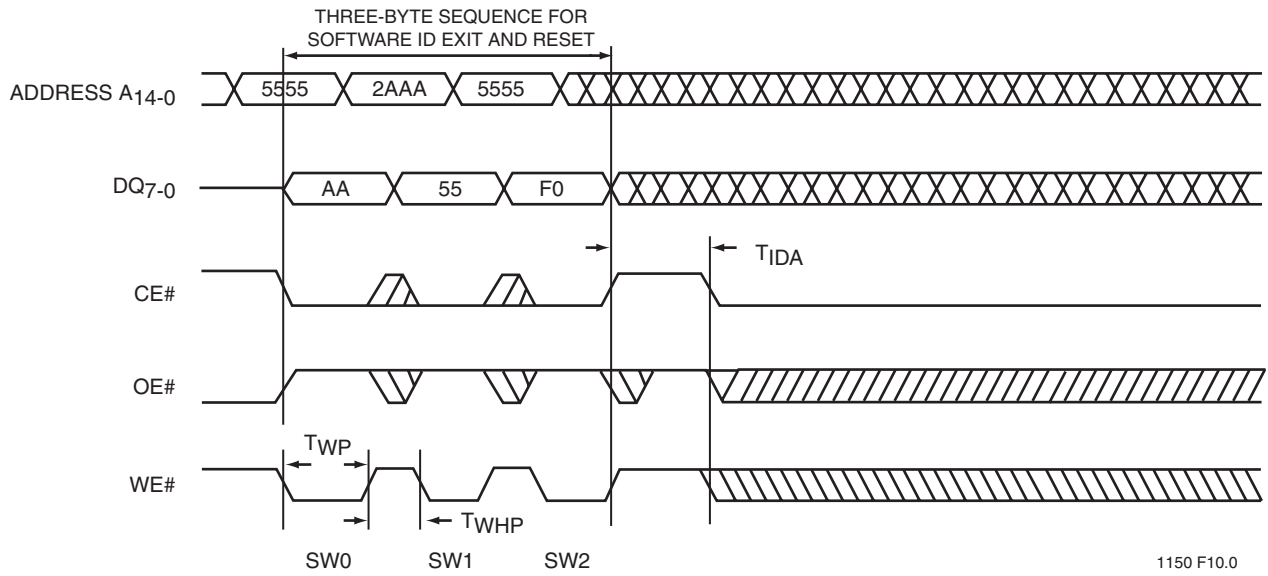


FIGURE 13: SOFTWARE ID EXIT AND RESET

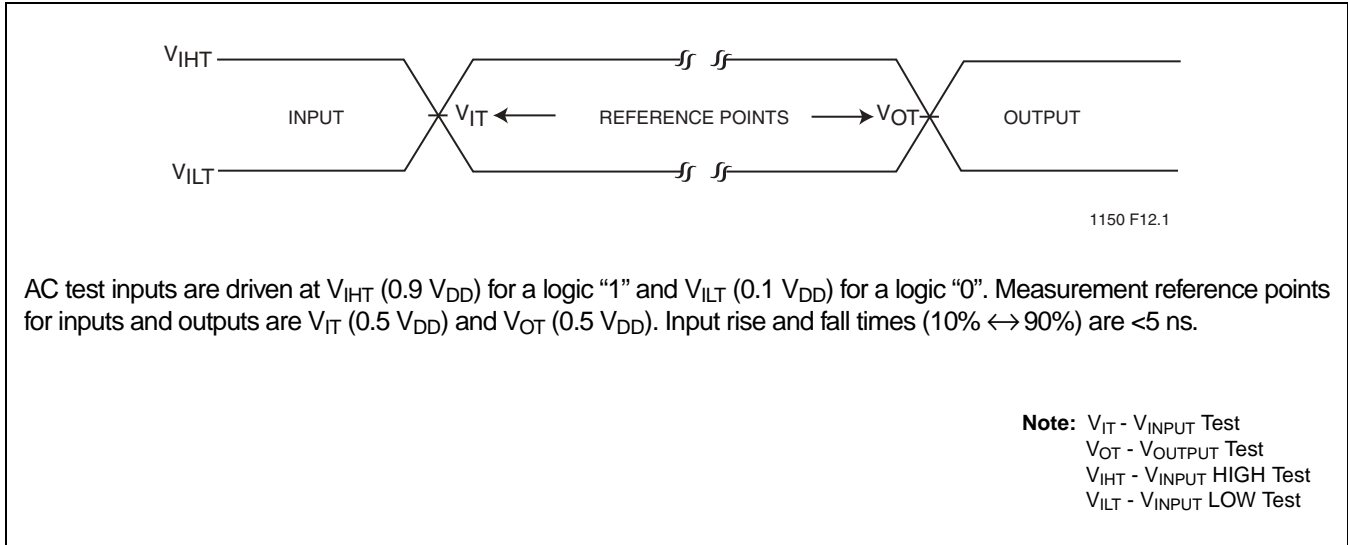


FIGURE 14: AC INPUT/OUTPUT REFERENCE WAVEFORMS

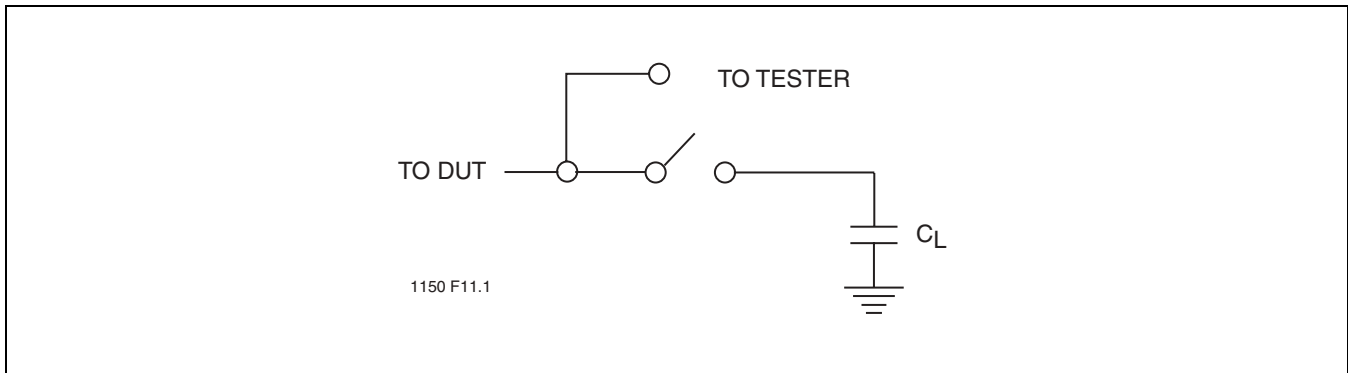


FIGURE 15: A TEST LOAD EXAMPLE



512 Kbit / 1 Mbit / 2 Mbit / 4 Mbit Multi-Purpose Flash
SST39LF512 / SST39LF010 / SST39LF020 / SST39LF040
SST39VF512 / SST39VF010 / SST39VF020 / SST39VF040

Data Sheet

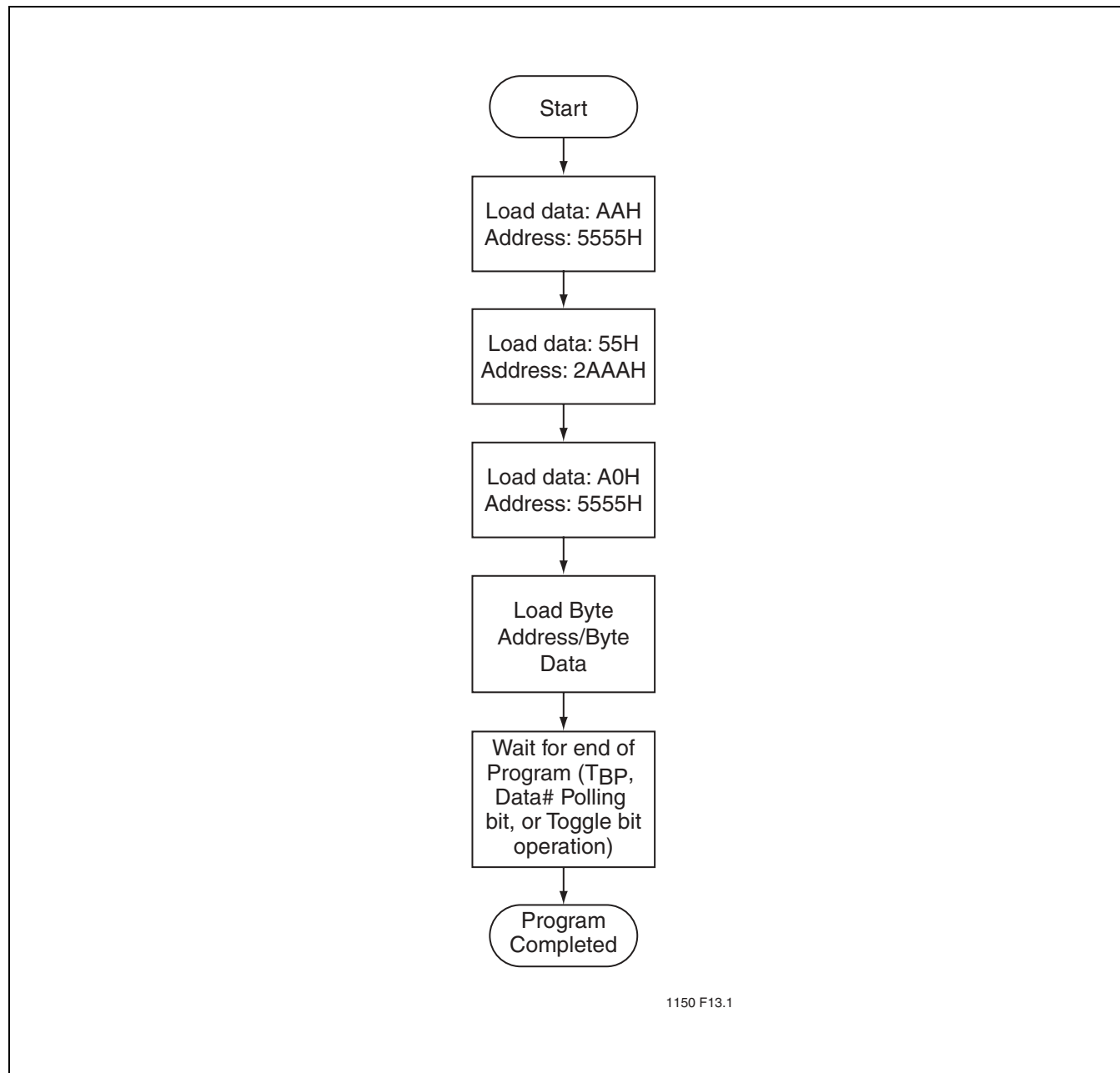
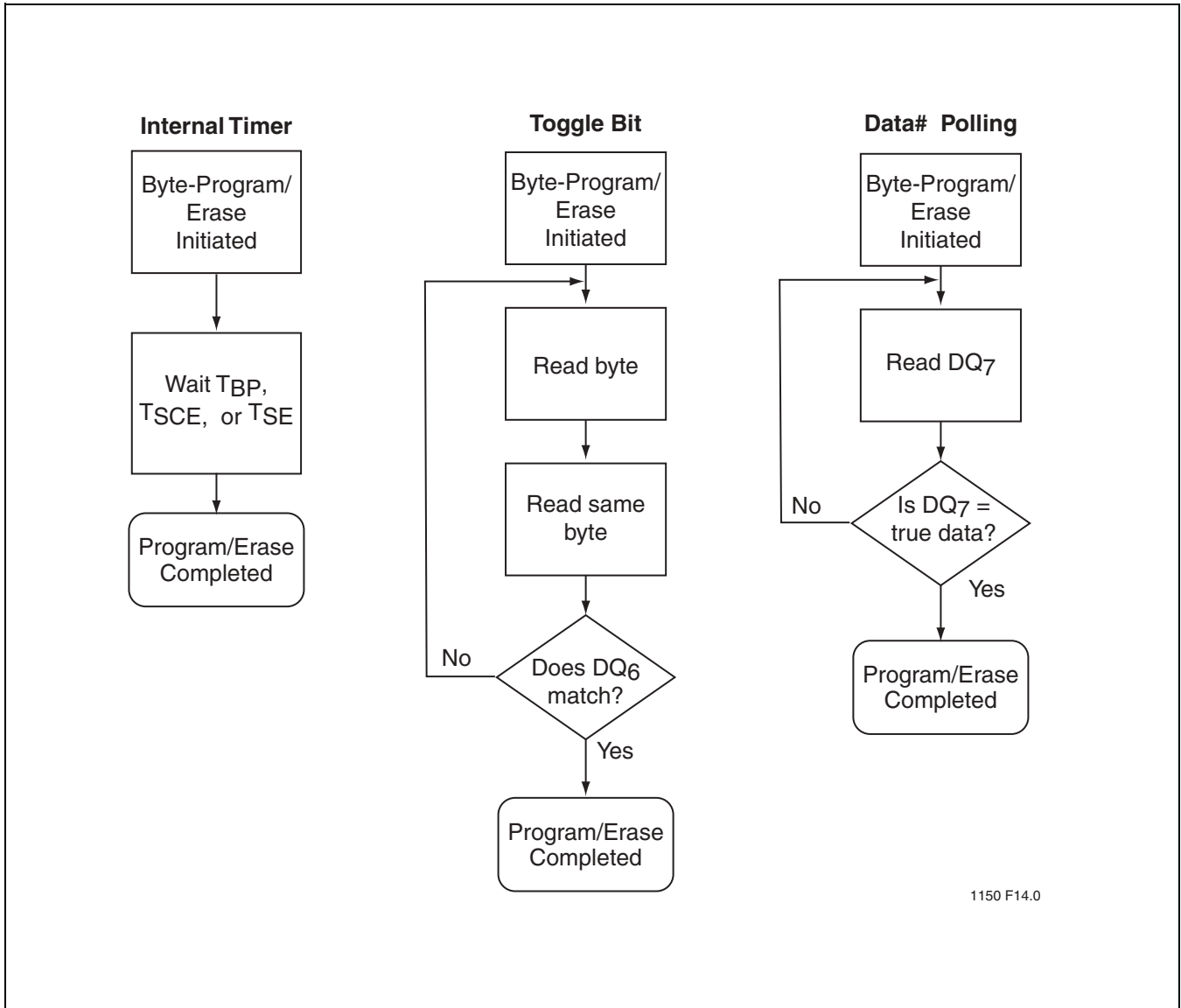


FIGURE 16: BYTE-PROGRAM ALGORITHM



1150 F14.0

FIGURE 17: WAIT OPTIONS



512 Kbit / 1 Mbit / 2 Mbit / 4 Mbit Multi-Purpose Flash
SST39LF512 / SST39LF010 / SST39LF020 / SST39LF040
SST39VF512 / SST39VF010 / SST39VF020 / SST39VF040

Data Sheet

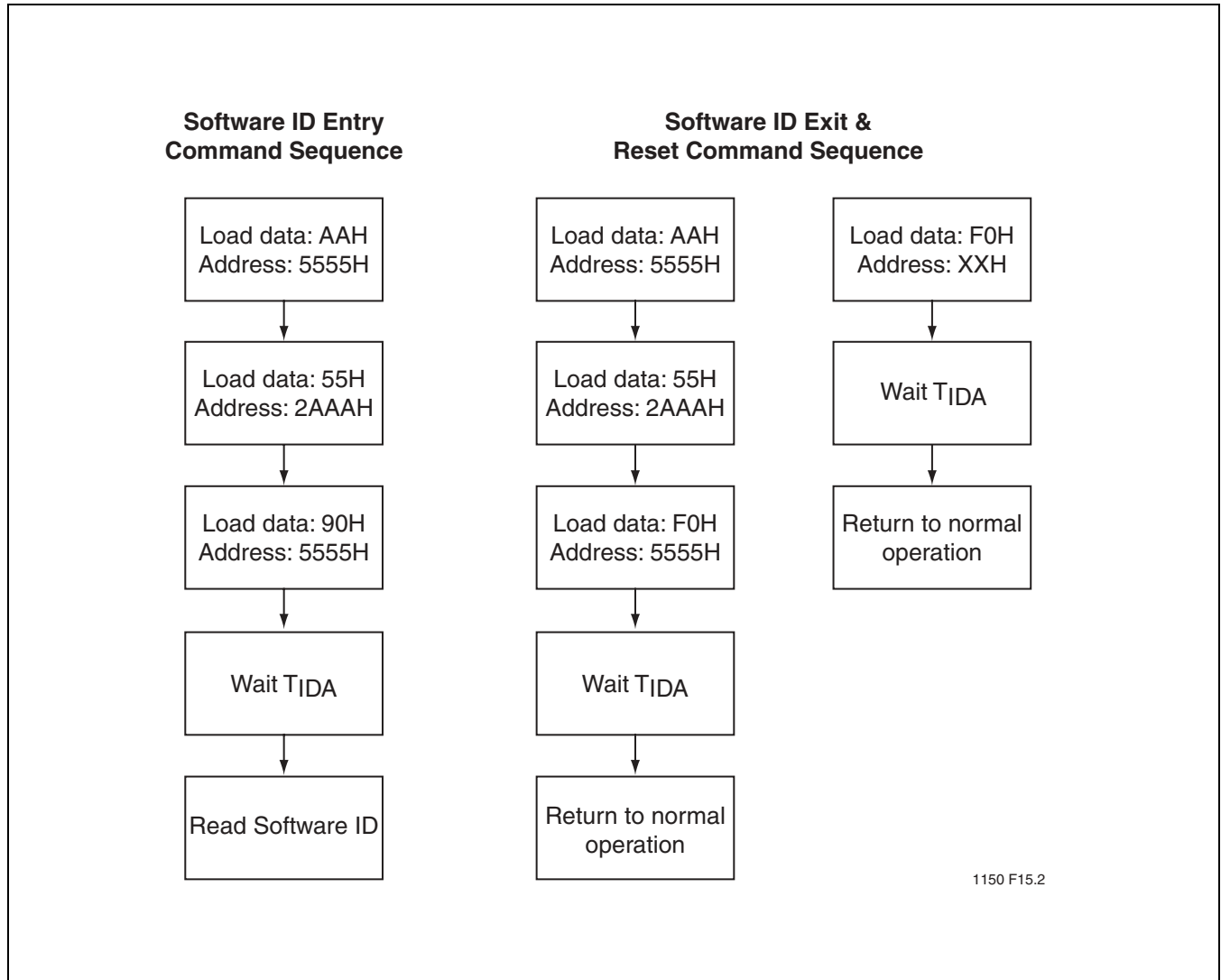
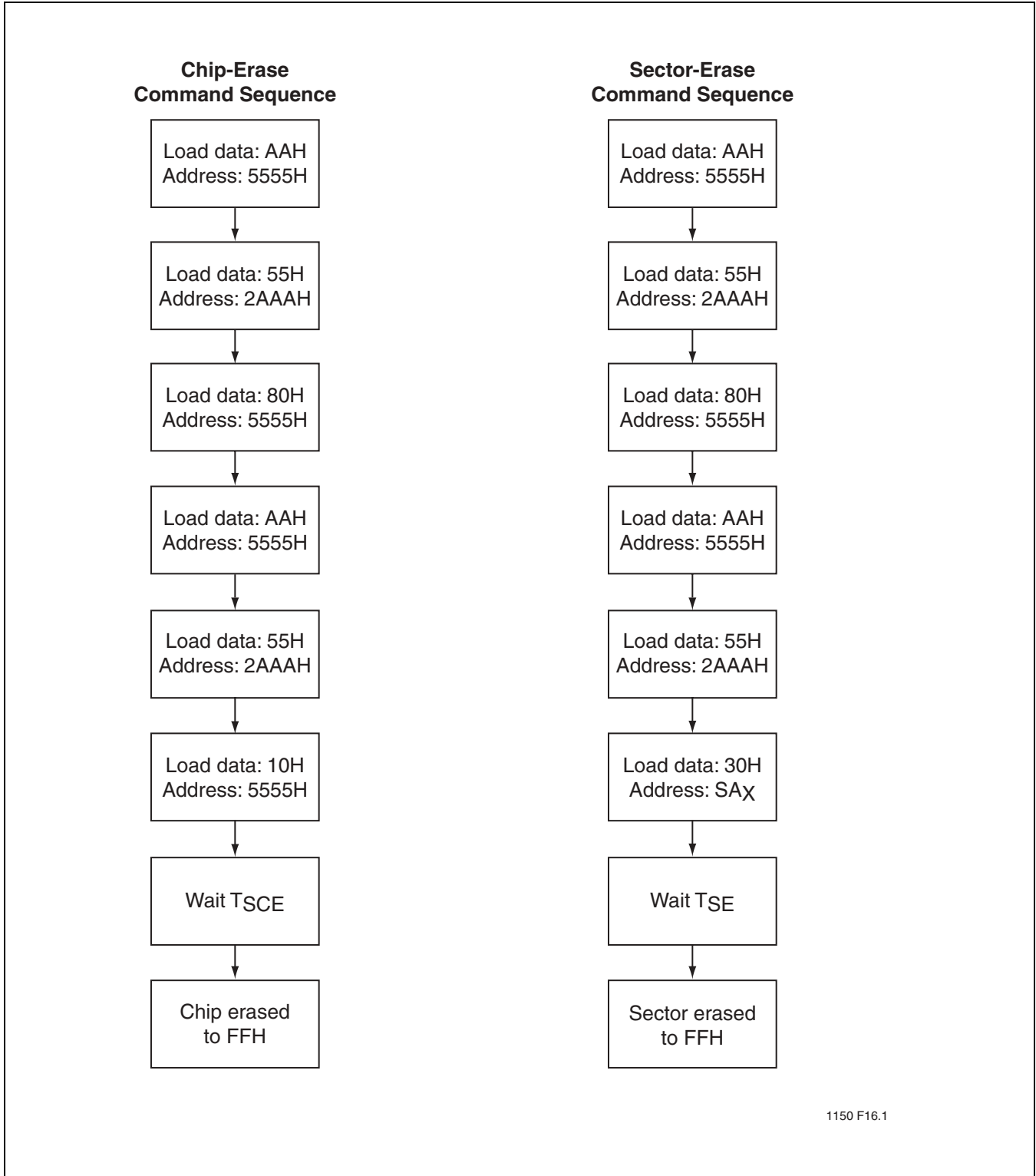


FIGURE 18: SOFTWARE ID COMMAND FLOWCHARTS



1150 F16.1

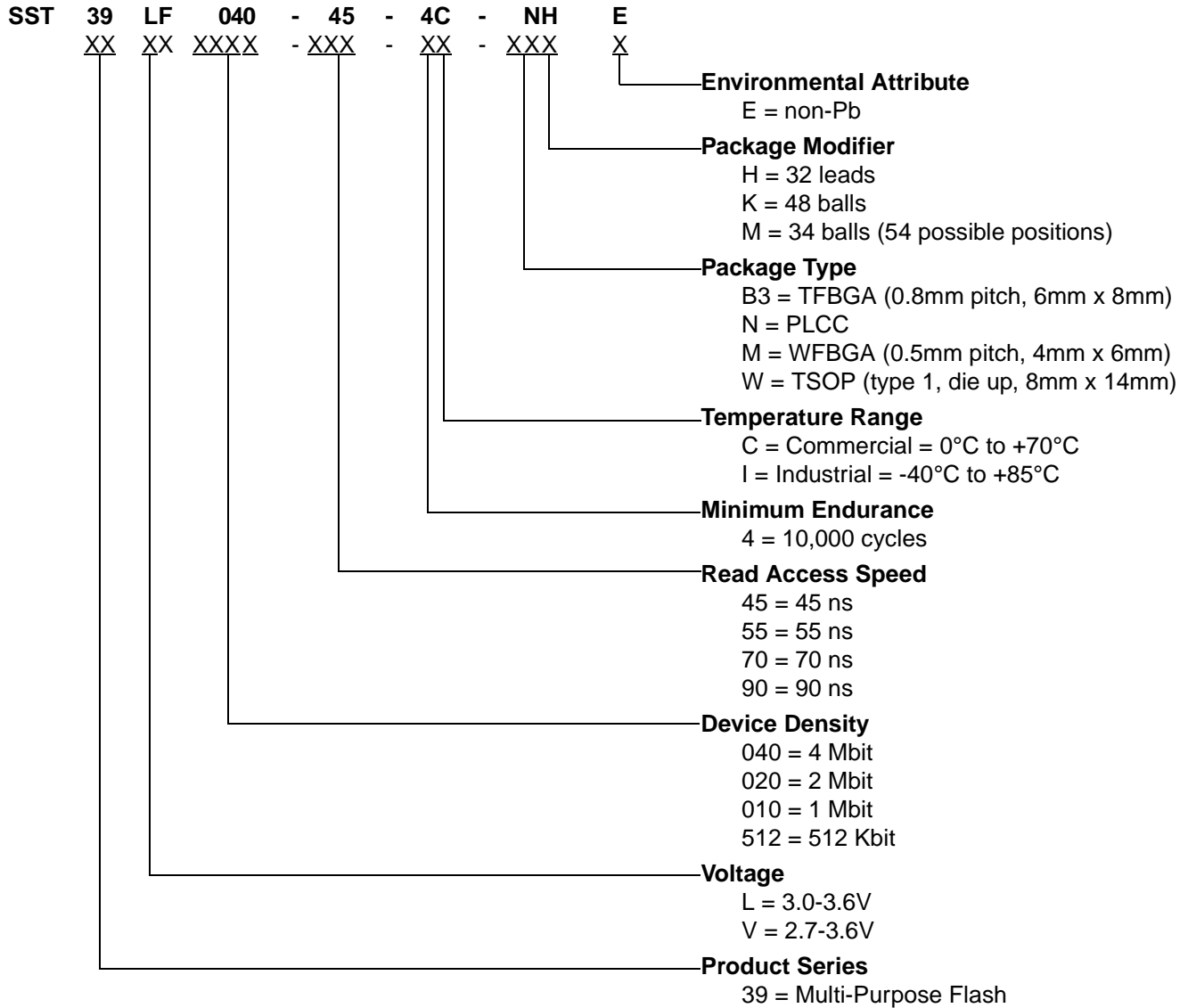
FIGURE 19: ERASE COMMAND SEQUENCE



512 Kbit / 1 Mbit / 2 Mbit / 4 Mbit Multi-Purpose Flash
SST39LF512 / SST39LF010 / SST39LF020 / SST39LF040
SST39VF512 / SST39VF010 / SST39VF020 / SST39VF040

Data Sheet

PRODUCT ORDERING INFORMATION



512 Kbit / 1 Mbit / 2 Mbit / 4 Mbit Multi-Purpose Flash
SST39LF512 / SST39LF010 / SST39LF020 / SST39LF040
SST39VF512 / SST39VF010 / SST39VF020 / SST39VF040



Data Sheet

Valid combinations for SST39LF512

SST39LF512-45-4C-NH SST39LF512-45-4C-WH
SST39LF512-45-4C-NHE SST39LF512-45-4C-WHE

Valid combinations for SST39VF512

SST39VF512-70-4C-NH SST39VF512-70-4C-WH
SST39VF512-70-4C-NHE SST39VF512-70-4C-WHE
SST39VF512-90-4C-NH† SST39VF512-90-4C-WH†
SST39VF512-90-4C-NHE† SST39VF512-90-4C-WHE†

SST39VF512-70-4I-NH SST39VF512-70-4I-WH
SST39VF512-70-4I-NHE SST39VF512-70-4I-WHE
SST39VF512-90-4I-NH† SST39VF512-90-4I-WH†
SST39VF512-90-4I-NHE† SST39VF512-90-4I-WHE†

Valid combinations for SST39LF010

SST39LF010-45-4C-NH SST39LF010-45-4C-WH SST39LF010-45-4C-B3K SST39LF010-45-4C-MM
SST39LF010-45-4C-NHE SST39LF010-45-4C-WHE SST39LF010-45-4C-B3KE SST39LF010-45-4C-MME

Valid combinations for SST39VF010

SST39VF010-70-4C-NH SST39VF010-70-4C-WH SST39VF010-70-4C-B3K
SST39VF010-70-4C-NHE SST39VF010-70-4C-WHE SST39VF010-70-4C-B3KE
SST39VF010-90-4C-NH† SST39VF010-90-4C-WH† SST39VF010-90-4C-B3K†
SST39VF010-90-4C-NHE† SST39VF010-90-4C-WHE† SST39VF010-90-4C-B3KE†

SST39VF010-70-4I-NH SST39VF010-70-4I-WH SST39VF010-70-4I-B3K
SST39VF010-70-4I-NHE SST39VF010-70-4I-WHE SST39VF010-70-4I-B3KE
SST39VF010-90-4I-NH† SST39VF010-90-4I-WH† SST39VF010-90-4I-B3K†
SST39VF010-90-4I-NHE† SST39VF010-90-4I-WHE† SST39VF010-90-4I-B3KE†

Valid combinations for SST39LF020

SST39LF020-45-4C-NH SST39LF020-45-4C-WH SST39LF020-45-4C-B3K SST39LF020-45-4C-MM
SST39LF020-45-4C-NHE SST39LF020-45-4C-WHE SST39LF020-45-4C-B3KE SST39LF020-45-4C-MME
SST39LF020-55-4C-NH SST39LF020-55-4C-WH
SST39LF020-55-4C-NHE SST39LF020-55-4C-WHE

Valid combinations for SST39VF020

SST39VF020-70-4C-NH SST39VF020-70-4C-WH SST39VF020-70-4C-B3K
SST39VF020-70-4C-NHE SST39VF020-70-4C-WHE SST39VF020-70-4C-B3KE
SST39VF020-90-4C-NH† SST39VF020-90-4C-WH† SST39VF020-90-4C-B3K†
SST39VF020-90-4C-NHE† SST39VF020-90-4C-WHE† SST39VF020-90-4C-B3KE†

SST39VF020-70-4I-NH SST39VF020-70-4I-WH SST39VF020-70-4I-B3K
SST39VF020-70-4I-NHE SST39VF020-70-4I-WHE SST39VF020-70-4I-B3KE
SST39VF020-90-4I-NH† SST39VF020-90-4I-WH† SST39VF020-90-4I-B3K†
SST39VF020-90-4I-NHE† SST39VF020-90-4I-WHE† SST39VF020-90-4I-B3KE†

Valid combinations for SST39LF040

SST39LF040-45-4C-NH SST39LF040-45-4C-WH
SST39LF040-45-4C-NHE SST39LF040-45-4C-WHE
SST39LF040-55-4C-NH SST39LF040-55-4C-WH
SST39LF040-55-4C-NHE SST39LF040-55-4C-WHE



512 Kbit / 1 Mbit / 2 Mbit / 4 Mbit Multi-Purpose Flash
SST39LF512 / SST39LF010 / SST39LF020 / SST39LF040
SST39VF512 / SST39VF010 / SST39VF020 / SST39VF040

Data Sheet

Valid combinations for SST39VF040

| | |
|-----------------------|-----------------------|
| SST39VF040-70-4C-NH | SST39VF040-70-4C-WH |
| SST39VF040-70-4C-NHE | SST39VF040-70-4C-WHE |
| SST39VF040-90-4C-NH† | SST39VF040-90-4C-WH† |
| SST39VF040-90-4C-NHE† | SST39VF040-90-4C-WHE† |
| SST39VF040-70-4I-NH | SST39VF040-70-4I-WH |
| SST39VF040-70-4I-NHE | SST39VF040-70-4I-WHE |
| SST39VF040-90-4I-NH† | SST39VF040-90-4I-WH† |
| SST39VF040-90-4I-NHE† | SST39VF040-90-4I-WHE† |

Note: Valid combinations are those products in mass production or will be in mass production. Consult your SST sales representative to confirm availability of valid combinations and to determine availability of new combinations.

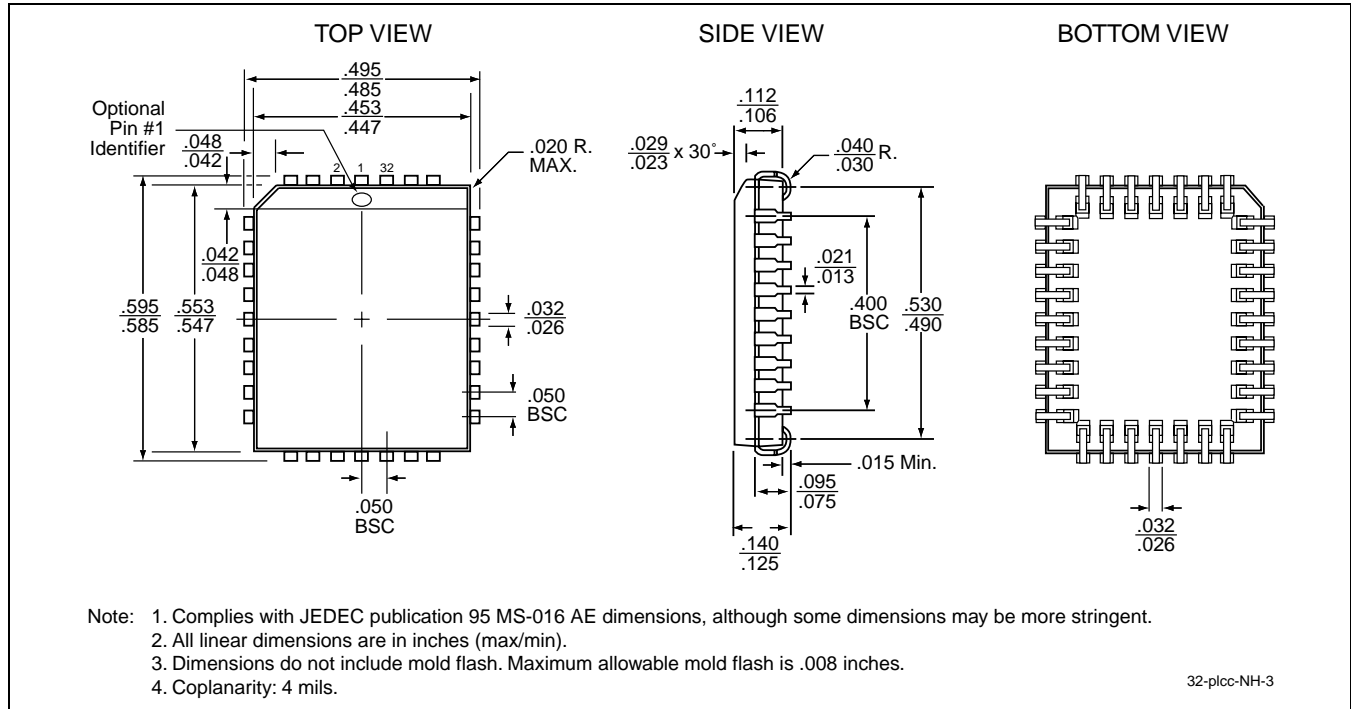
† These 90 ns parts will be phased out and replaced by 70 ns parts in 2004.
Customers should use 70 ns parts for new designs and qualifications.

512 Kbit / 1 Mbit / 2 Mbit / 4 Mbit Multi-Purpose Flash
SST39LF512 / SST39LF010 / SST39LF020 / SST39LF040
SST39VF512 / SST39VF010 / SST39VF020 / SST39VF040

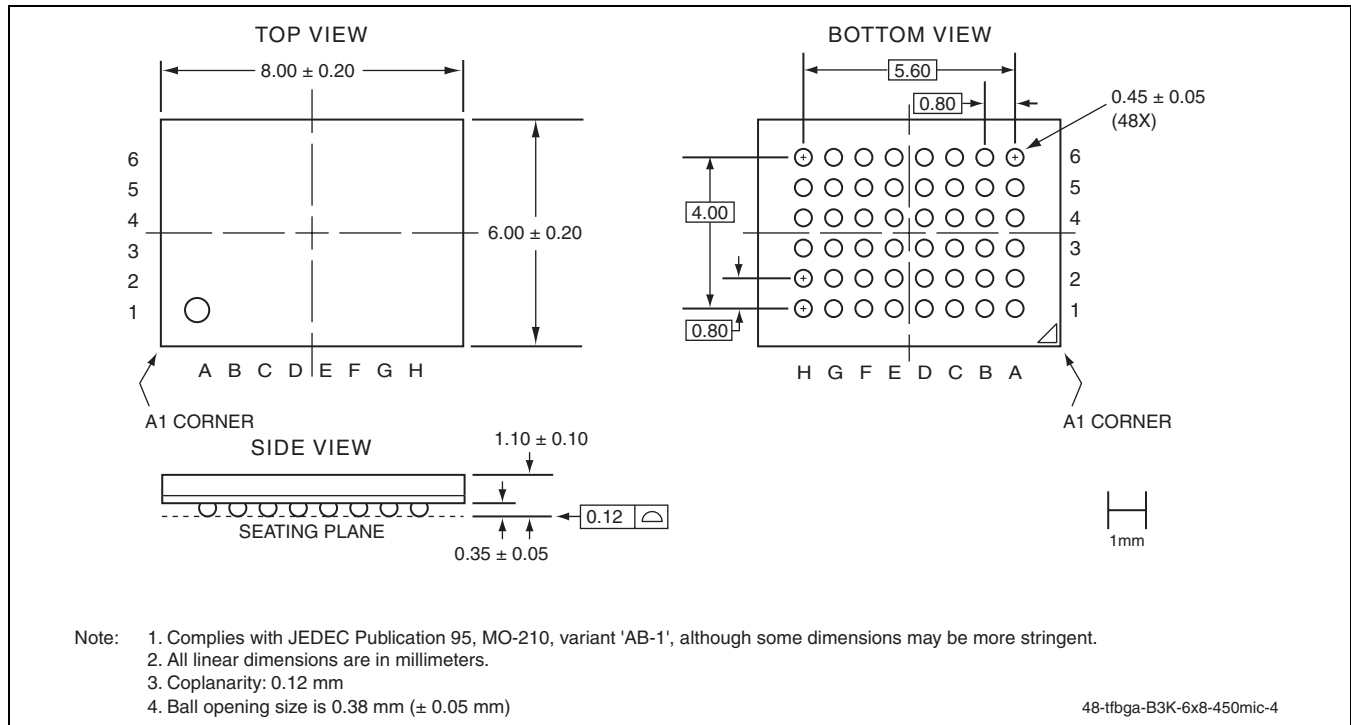


Data Sheet

PACKAGING DIAGRAMS



32-LEAD PLASTIC LEAD CHIP CARRIER (PLCC)
SST PACKAGE CODE: NH

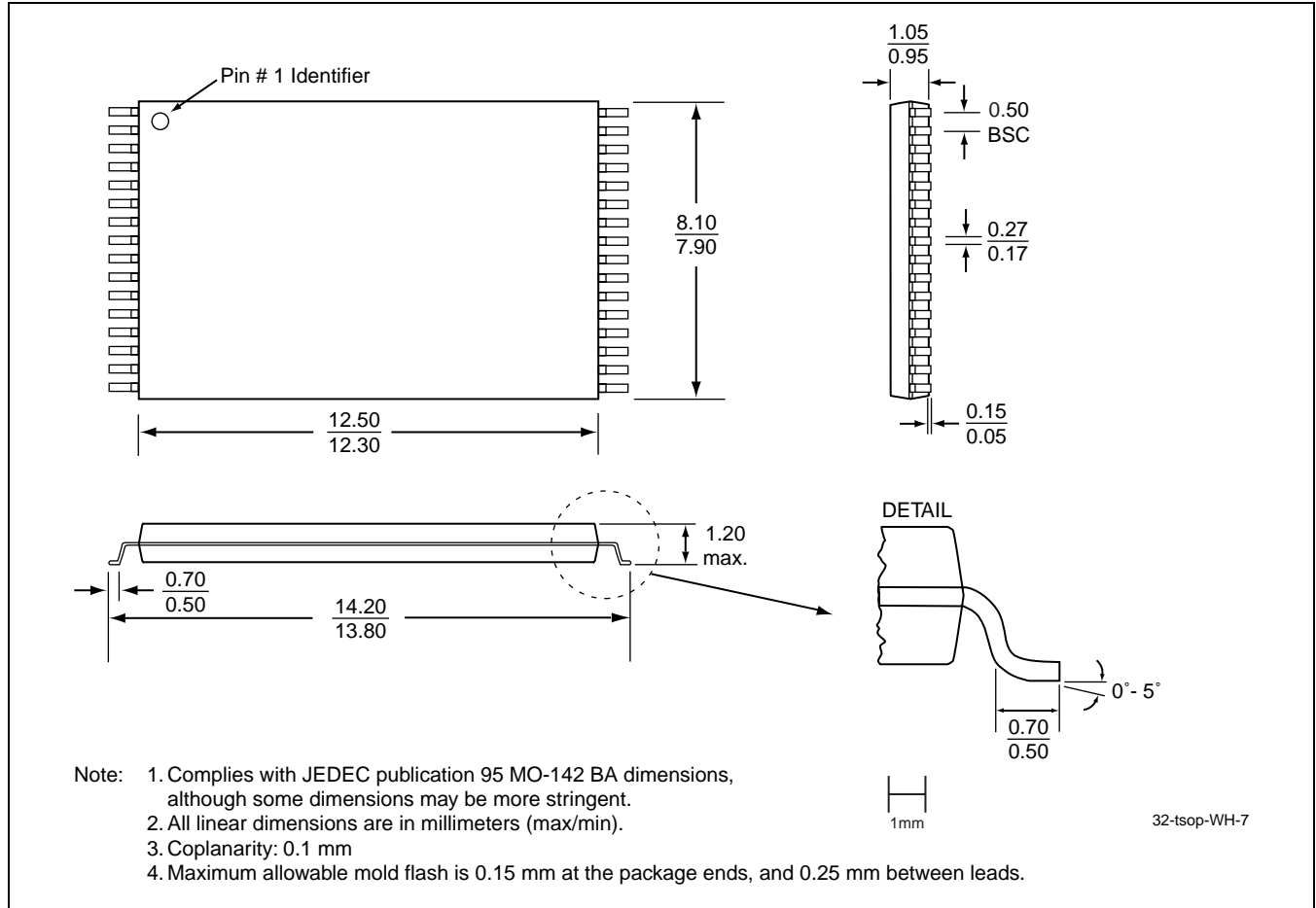


48-BALL THIN-PROFILE, FINE-PITCH BALL GRID ARRAY (TFBGA) 6MM X 8MM
SST PACKAGE CODE: B3K



512 Kbit / 1 Mbit / 2 Mbit / 4 Mbit Multi-Purpose Flash
SST39LF512 / SST39LF010 / SST39LF020 / SST39LF040
SST39VF512 / SST39VF010 / SST39VF020 / SST39VF040

Data Sheet

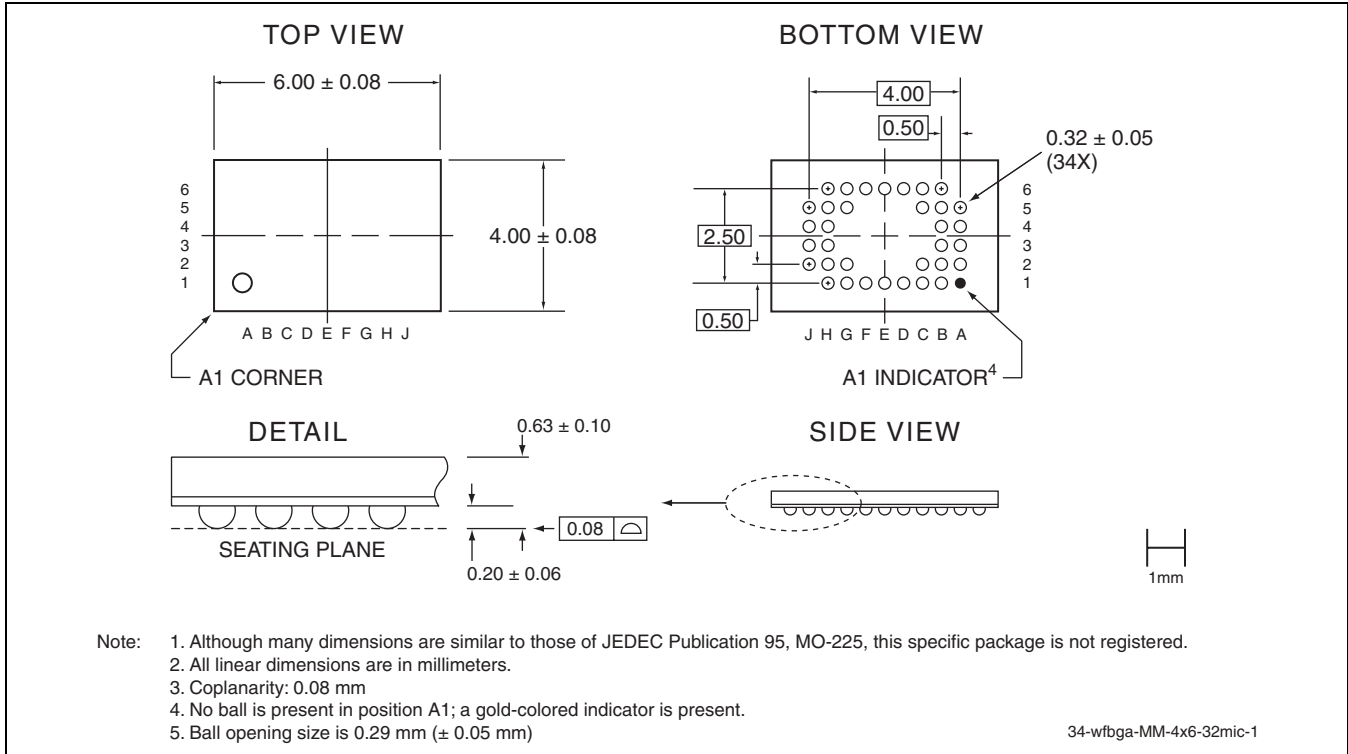


32-LEAD THIN SMALL OUTLINE PACKAGE (TSOP) 8MM X 14MM
SST PACKAGE CODE: WH

512 Kbit / 1 Mbit / 2 Mbit / 4 Mbit Multi-Purpose Flash
 SST39LF512 / SST39LF010 / SST39LF020 / SST39LF040
 SST39VF512 / SST39VF010 / SST39VF020 / SST39VF040



Data Sheet



34-BALL VERY-VERY-THIN-PROFILE, FINE-PITCH BALL GRID ARRAY (WFBGA) 4MM X 6MM
SST PACKAGE CODE: MM



512 Kbit / 1 Mbit / 2 Mbit / 4 Mbit Multi-Purpose Flash
SST39LF512 / SST39LF010 / SST39LF020 / SST39LF040
SST39VF512 / SST39VF010 / SST39VF020 / SST39VF040

Data Sheet

TABLE 11: REVISION HISTORY

| Number | Description | Date |
|--------|---|----------|
| 01 | <ul style="list-style-type: none">• 2000 Data Book | Feb 2000 |
| 02 | <ul style="list-style-type: none">• Changed speed from 45 ns to 55 ns for the SST39LF020 and SST39LF040 | Aug 2000 |
| 03 | <ul style="list-style-type: none">• 2002 Data Book: Reintroduced the 45 ns parts for the SST39LF020 and SST39LF040 | Feb 2002 |
| 04 | <ul style="list-style-type: none">• Added the B3K package for the 2 Mbit devices• Added footnote in Table 5 to indicate I_{DD} Write is 30 mA max for Erase operations in the Industrial temperature range. | Oct 2002 |
| 05 | <ul style="list-style-type: none">• Changes to Table 5 on page 8<ul style="list-style-type: none">– Added footnote for MPF power usage and Typical conditions– Clarified the Test Conditions for Power Supply Current and Read parameters– Clarified I_{DD} Write to be Program and Erase– Corrected I_{DD} Program and Erase from 20 mA to 30 mA• Part number changes - see page 21 for additional information | Mar 2003 |
| 06 | <ul style="list-style-type: none">• Added new “MM” Micro-Package MPNs for 1M and 2M LF parts- see page 21 | Oct 2003 |
| 07 | <ul style="list-style-type: none">• 2004 Data Book• Added non-Pb MPNs and removed footnote (See page 21)• Updated B3K and MM package diagrams | Nov 2003 |