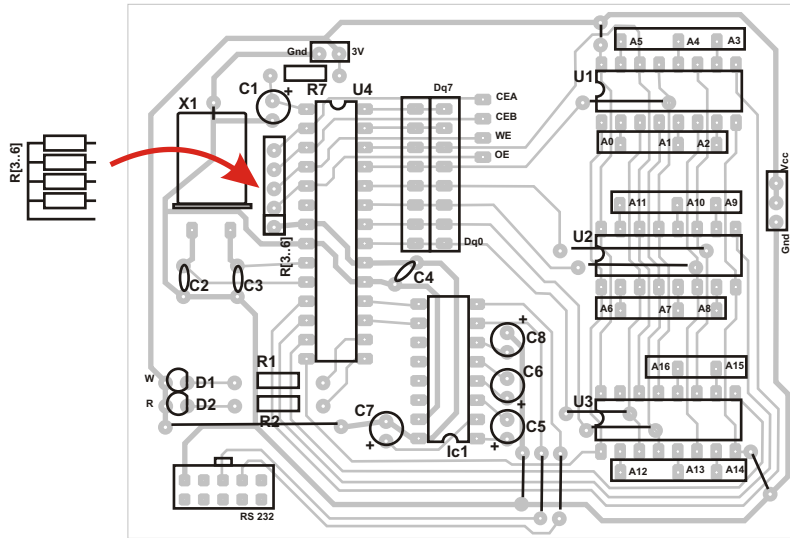
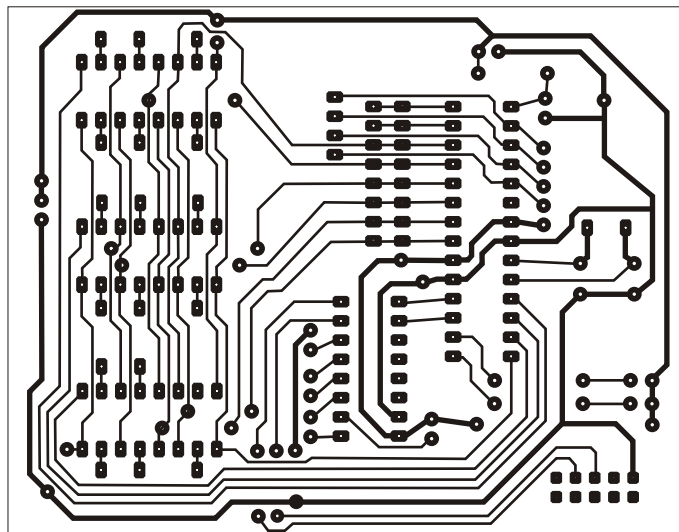


**CRESSsoft & Hard  
i-Cybie Uploader 1.0**

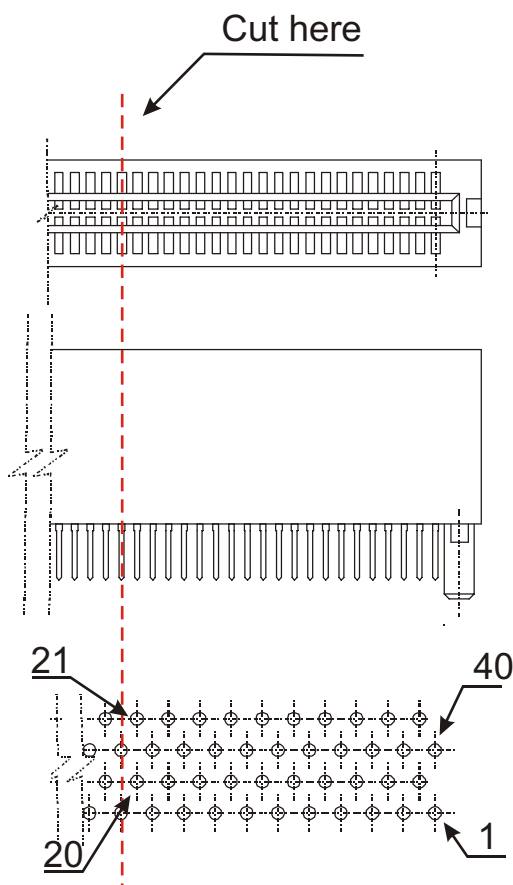
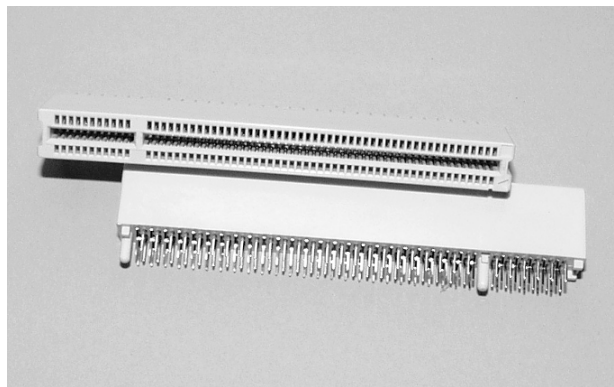


**CRESsoft & Hard  
i-Cybie Uploader 1.01**

**90x70mm**

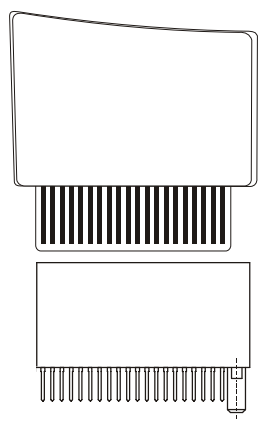


# Cartridge connector from a PCI slot connector



Wire to the PCB following  
this pin layout:

21	DO0A	DO0B	35
22	DO1A	DO1B	37
23	DO2A	DO2B	38
24	DO3A	DO3B	39
25	DO4A	DO4B	40
26	DO5A	DO5B	1
27	DO6A	DO6B	2
28	DO7A	DO7B	3
30	CEA	CEB	36
29	Vdda	Vddb	34
33	WE	Vss	31
32	OE		4
20	A0	A16	5
19	A1	A15	6
18	A2	A14	7
17	A3	A13	8
16	A4	A12	9
15	A5	A11	10
14	A6	A10	11
13	A7	A9	12



Insert this way

